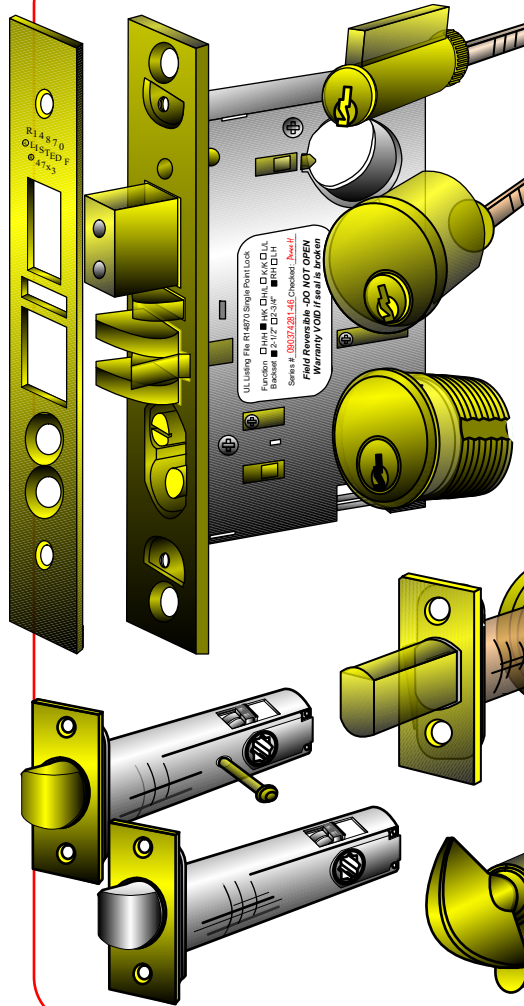


baton®

Security Products since

Catalogue
2016.10
Decorative
Door
Hardware



Part 6 of 7 - Series T
Trim, Lever & Knob sets

- Trim/Lever set ordering guide
-----> page T01~T02

- TA Trims -----> page T03~T10

- TE Trims -----> page T12~T14

- TF Trims -----> page T15~T18

- TL Trims -----> page T19~T20

- TX Trims -----> page T21~T24

Baton Security Products
11521 Salinaz Drive,
Garden Grove,
CA 92843 USA

Tel: (714) 590 6969
Fax: (714) 590 6960

USA / Canada toll free
Tel : (877) 228 6699
Fax: (866) 228 6699

Tooling, manufacturing as well as purchasing stock items are additional benefits of doing business with Baton.

www.batonlockusa.com www.batonhardware.com

Email : Sales@batonlockusa.com

Dear Clients:

It is our pleasure to present for your reference the latest Catalogue and Price List for the decorative door hardware.

Baton has accumulated the experience in the manufacturing and distribution of the security locking devices and related hardware since 1973. Since then, we have consistently provided clients with a wide range of high quality locking devices along with the edge necessary in today's security industry.

At Baton, our goal is to provide you with the highest quality not only in security products but also in customer service. To assist you with your product needs, our Customer Services Department is open from 8:00 AM until 4:30 PM Pacific Time, Monday through Friday.

The following pages show the product lines we constantly carry in our warehouse located at Garden Grove, California. Nevertheless, tooling, manufacturing as well as purchasing stock items are value added benefits of doing business with us. Your complete satisfaction is our goal. Please call our Customer Service Representatives at 1-877-baton99 (228 6699) and let us know how we can best serve you. Should you have any other needs regarding locking devices, please call our CSR at the following numbers:

<p>Toll free Tel : 1-877 - 228 6699 Fax: 1-866 - 228 6699</p>	<p>Toll free Tel : 1-800 - 395 8880 Fax: 1-888 - 395 8880</p>
<ol style="list-style-type: none"> 1. Mortise Door Lock, Low Profile Deadbolts, Tubular Latches and components 2. European Profile Cylinders, Rim Cylinders, Key in knob and Mortise Cylinders 3. Decorative Hardware 4. Special locks for Payphone, Casino, Gaming and Vending Industries. 	<ol style="list-style-type: none"> 1. High security locks and devices of all kinds for Vending, Laundry, Casino and Video Gaming Industries 2. Padlocks - Brass, Laminated steel, Hardened steel and Stainless steel for Coin-Op Industries and general public 3. Do-it-yourselfes general hardware

Sincerely,

Peace Hsu
 President

Terms and Freight Policy -

All prices are based on FOB our warehouse. Net 30 days can be arranged upon approval on open account others will be C.O.D. or prepaid. Any past due account is subject to a financial charge at 1.5% on unpaid balance billed monthly. No further shipment will be honored until account is brought back to current. Service charges will apply to all the returned checks. Unless you specify otherwise, will use a carrier and route of our choice. Claim for loss or damage in transit should be made by you against the carrier. All goods are shipped at the customers risk; our responsibility ceases upon delivery in good order to the carrier.

Receipt and Return Goods Policy -

Any discrepancy regarding the shipment must be claimed within five(5) days after merchandise received. Any return item should be received within 30 days of invoice date. A "RGA" number must be obtained from our CSR Department prior to the merchandise returned. The returned goods must be in original packaging and salable condition. There will be a 25% restocking charge and freight on merchandise returned or refused for reasons other than defect or incorrect shipment. No special or custom made order can be returned other than factory defect.

Orders and Cancellations -

Order and/or cancellations will not be processed without written confirmation from customer. Any order shipped before written request of cancellation or change is received will incur handling charges as stated above. Special orders and custom made items are not cancelable after a period of 3 days from date of order. Partial orders shall be accepted by the customer and paid for at the contract prices and terms. Order received by Baton constitute acceptance of terms outlined in this document. Baton is not responsible for any loss or damage due to delays or extended delivery dates of goods.

Limited Warranty -

Baton warrants that its products will be free from defects in materials and workmanship (excluding oxidation or discoloration) for a period of one year from the date of sales to the user. Our only obligation will be to replace the defective product or parts upon inspection, together with proof of purchase from one of our agents dated within the warranty period. **We assume no liability for any labor charges regarding the removal or reinstallation of the products; nor will we cover any freight, postage, traveling or handling expense relative to the product. Damage caused by accident, misuse, abuse or improper installation are not covered by this warranty. Except as expressly stated herein, there is no warranty, whether expressed or implied, provided by Baton. No other person has authority to assume any obligation or liability in addition to this warranty.**

Validity and Special Note -

This catalogue with Price List enclosed is good for six (6) months from the date issued and supersedes all previous catalogues and Price Lists. Baton is not responsible for any typographic errors or errors in indication.

Baton series 'T' Trim, Lever, Knob and Thumb Turn sets as shown on the following pages can be purchased separately to match with the locking mechanisms mentioned on the previous pages. Series or model numbers for specific trims contain complete information.

The first two digits specify the "Series".

"TA" means Trim set that can be used with series "A" Mortise lock cases

"TE" means Trim set that can be used with series "E" Mortise lock cases

"TF" means Trim set for using with series "F" Mortise lock cases

"TL" means Lever set for using with series "D" Mortise lock cases or series "LT"
Tubular Latches

"TX" means Trim, Knob, Lever or Thumb Turn sets that can possibly be used for all or more than two locking mechanisms mentioned above.

T01

For example:

If a trim set is to match with the Mortise lock case A632HK, you may order the HK (Grip Handle outside/Knob inside) style trim set against the models TA30HK, TA40HK, TA60HK, TA70HK and TA80HK as shown on pages T03 to T10. The "TA" series trim sets are compatible with "A" series Mortise Locks only.

If the mortise lock case features a LL (Lever/Lever) construction, you may choose any model of the LL escutcheons as shown on pages T19 to T20; or, any style of the "TX-LJ" or "TX-LK" Lever sets as showed on page T21 to T23 with a selection of the Thumb Turn sets as shown on page 83 to install as sectional style trim set.

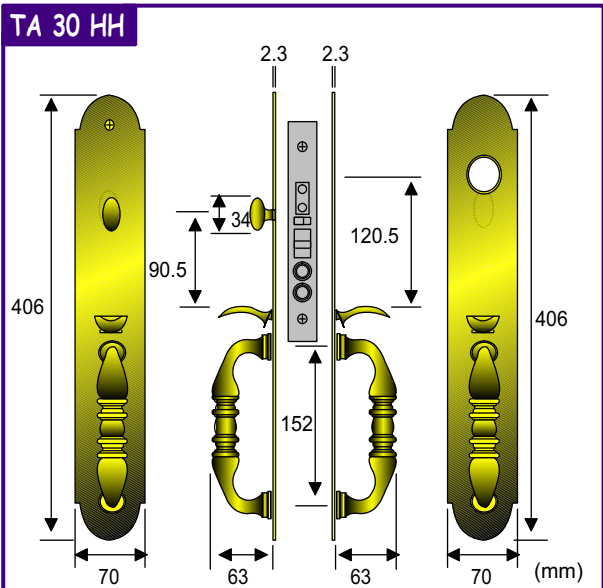
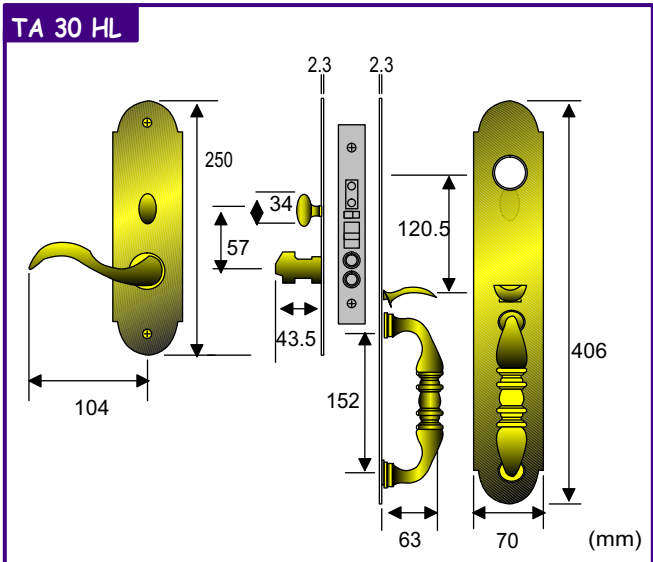
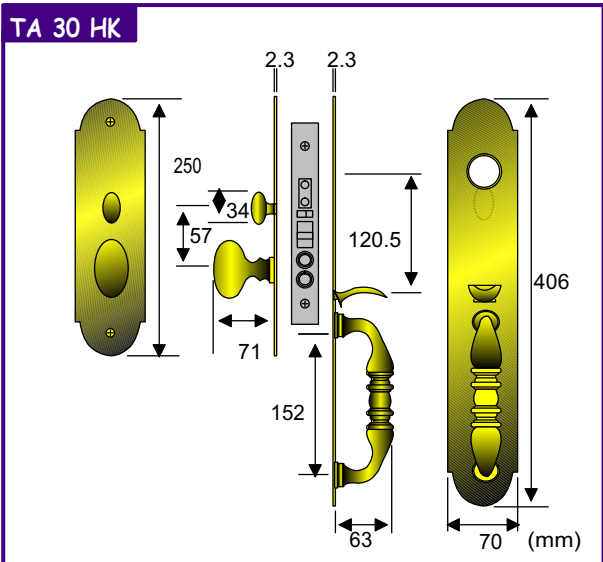
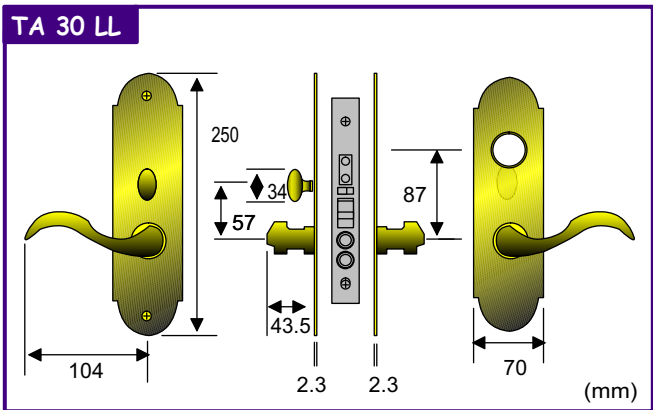
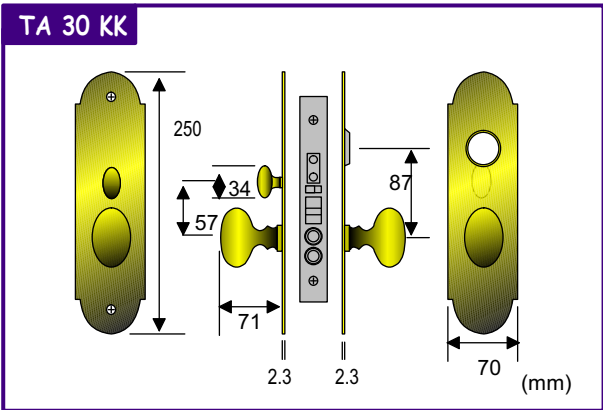
One can modify levers from the "TL" series by simply removing the rosette spring and cam stop, for use on most of the Mortise lock cases that is featured a LL construction.

The page following is a quick reference chart that specifies Trim, Lever, Knob and Thumb Turn sets that can normally be ordered to match with Mortise lock cases or Tubular Latch selections. Mix and match in styles and finishes for some items may be available to order. Please call Baton's CSR for details.

Trim / Lever Sets Ordering Guide - 2 - Reference Chart

<p>Trim Sets available</p> <p>TA30 HH, HK, HL, KK, LL TA40 HH, HK, HL, KK, LL TA60 HH, HK, HL, KK, LL TA70 HH, HK, HL, KK, LL TA80 HK TA91LL, TA95LL, TA96 LL</p>	<p>Lock style to match</p> <p>1) Series A Mortise Lock cases A500, A600, A700, A900</p>
<p>Trim Sets</p> <p>TE-G__, TE-H__ TE-U__, TE-V__, TE-X__</p>	<p>Lock style to match</p> <p>1) Euro Mortise Lock cases E600, E700, E900 Narrow backset E300</p>
<p>Trim Sets</p> <p>TF-B__, TF-D__, TF-E__ TF-G__, TF-H__</p>	<p>Lock style to match</p> <p>1) F400LL EN certified F Mortise Lock 2) F518LL Auto Lock</p>
<p>Lever Sets</p> <p>TL-C__, TL-M__, TL-N__</p>	<p>Latch & Lock style to match</p> <p>1) Tubular Latch LT200, LT300, LT580, LT595, LT670, LT680, LT780, LT840, LT880 LS/LV 2) Mortise Lock 'A', 'D', 'E', 'F', 'G', 'K' with optional 'TX' T Turn</p>
<p>Knob & Lever Sets</p> <p>TX-KC__ TX-LJ__ TX-LK__</p>	<p>Latch & Lock style to match</p> <p>1) Tubular Latch LT200, LT300, LT580, LT595, LT670, LT680, LT780, LT840, LT880 KS/KV/ LS/LV 2) Mortise Lock 'A', 'D', 'E', 'F', 'G', 'K' with optional 'TX' T Turn</p>
<p>Thumb Turn Sets</p> <p>TX-TA__ TX-TB__ TX-TD__</p>	<p>Mortise Bolt & Lock style to match</p> <p>1) Mortise Bolt LT245MB, LT780MB 2) Interior Mortise Lock 'D' 3) Mortise Lock 'A', 'E', 'F' 4) Mortise Deadlock A775</p>

Series 'TA30' Trim Set for Series 'A' Mortise Door Lock Case



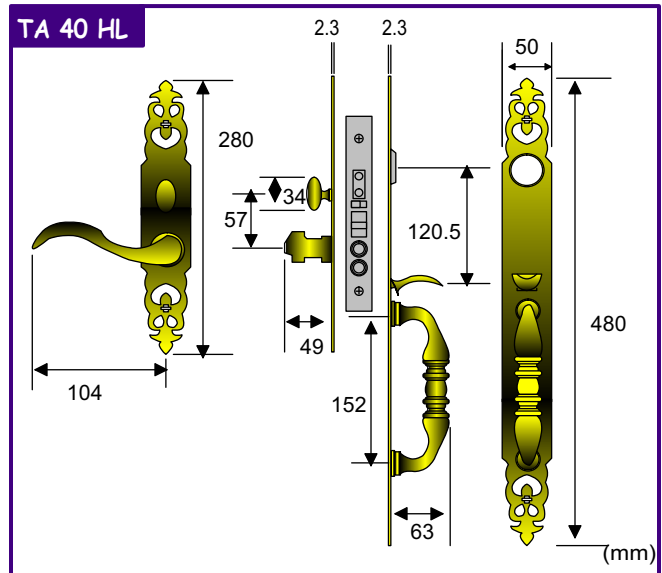
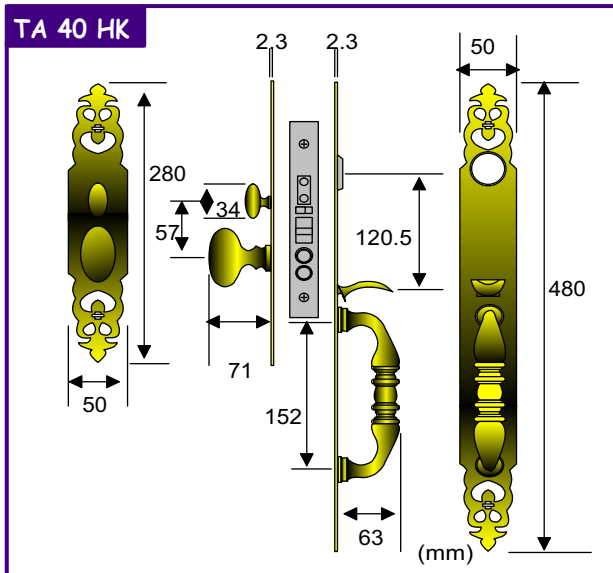
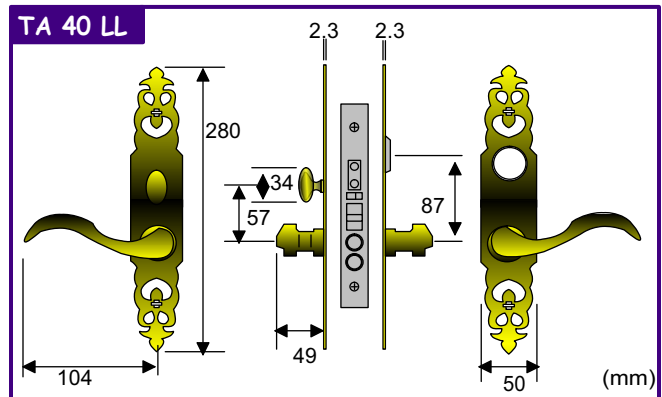
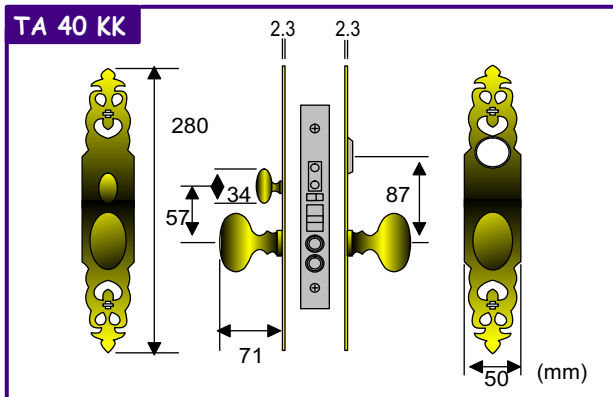
T03

Material: Escutcheon - Brass
Lever/thumb piece - Forged Brass.
Hub size: 8mm Square

Finishes available:
US 10B, 15, 15A, 19, 26, 26D,
3, 5 and PVD.

Remark : Mortise Lock Case and Cylinder are excluded. Please refer to catalogue pages A01 to A21 for various lock functions, Strike and the proper length of cylinder.

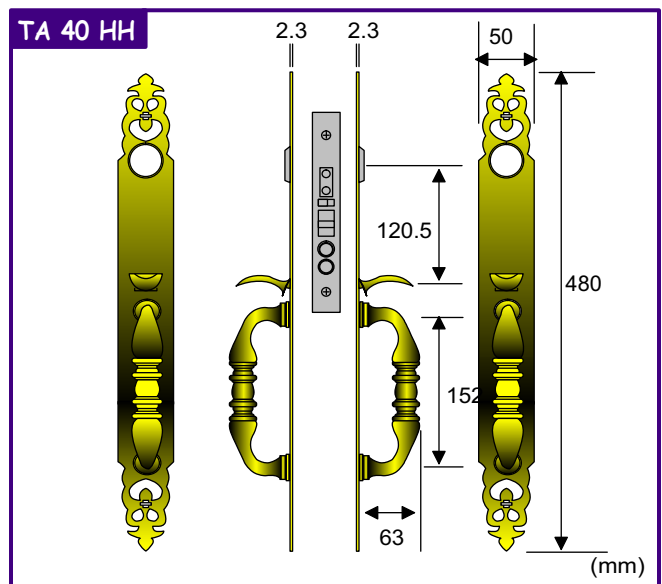
Series 'TA40' Trim Set for Series 'A' Mortise Door Lock Case



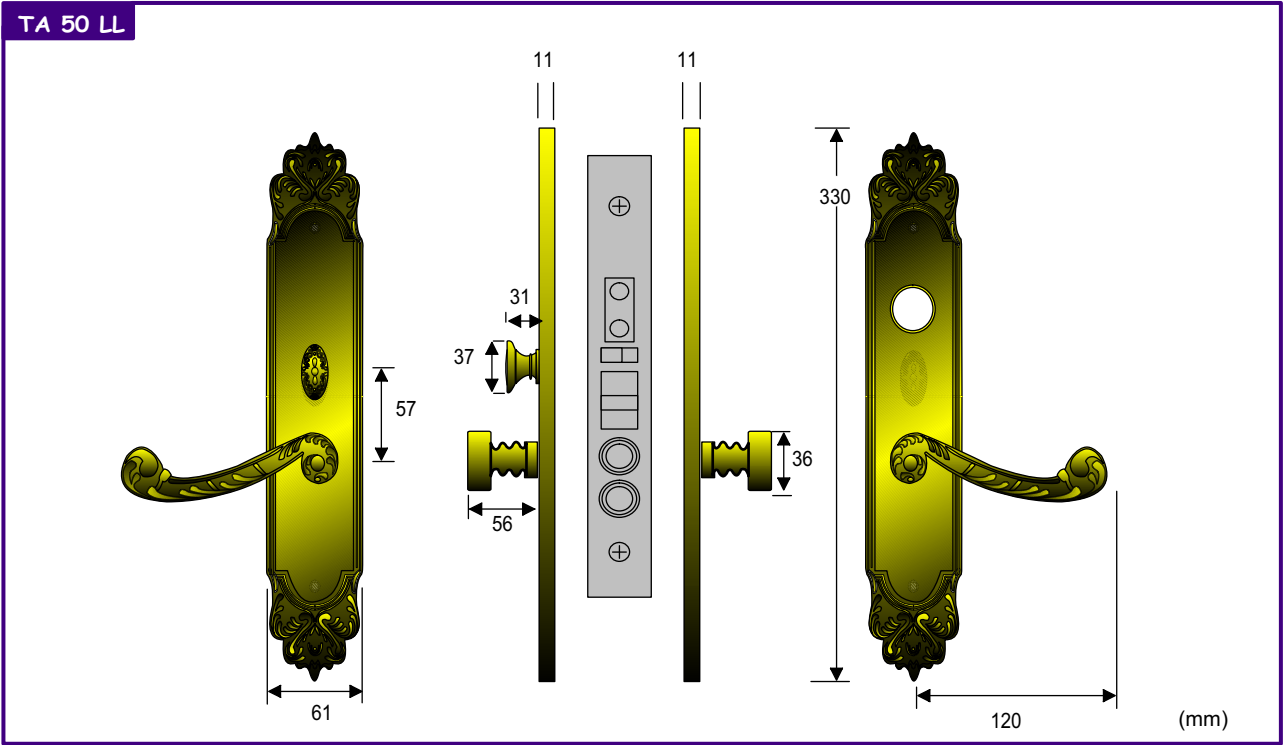
T04

Material: Escutcheon - Brass
Lever/thumb piece - Forged Brass.
Hub size: 8mm Square
Finishes available:
US 10B, 15, 15A, 19, 26, 26D,
3, 5 and PVD.

Remark : Mortise Lock Case and Cylinder are excluded. Please refer to catalogue pages A01 to A21 for various lock functions, Strike and the proper length of cylinder.



Series 'TA50' Trim Set for Series 'A' Mortise Door Lock Case

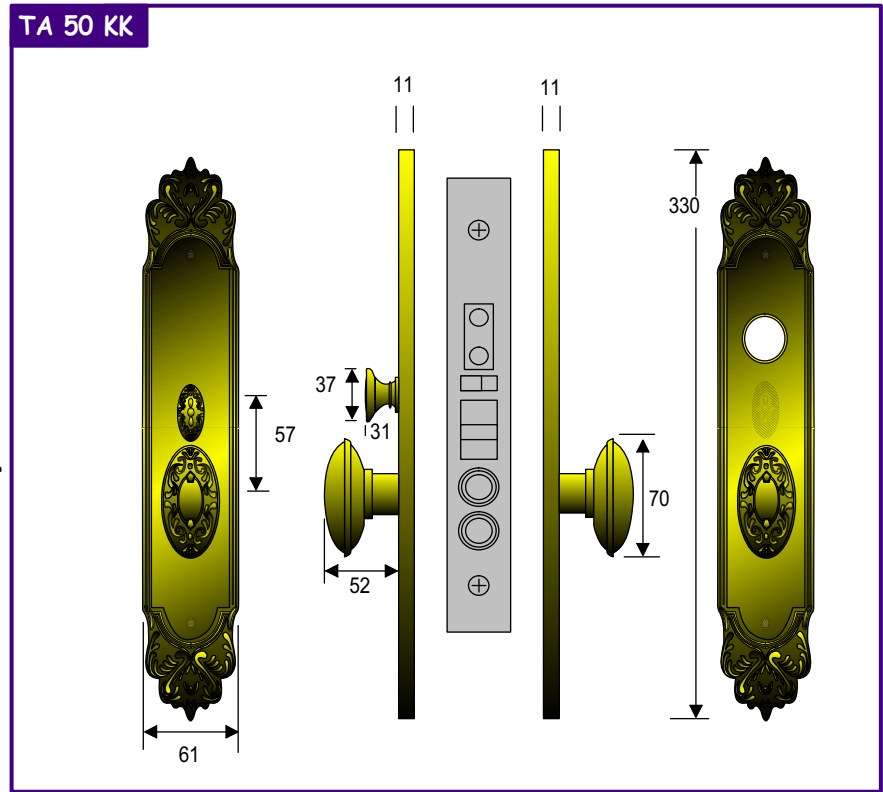


T05

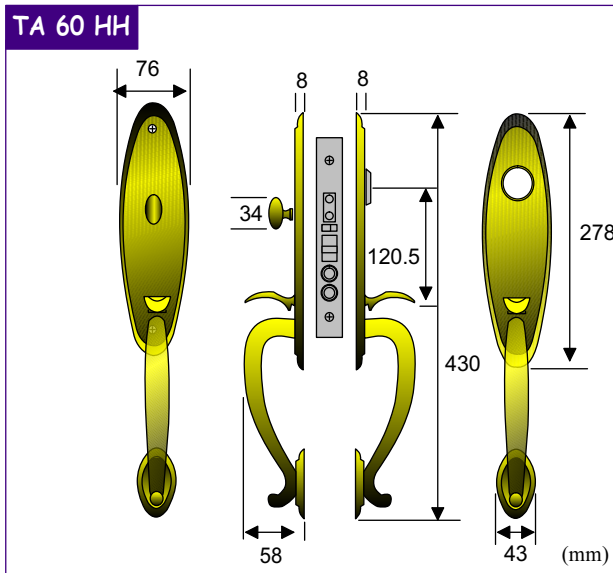
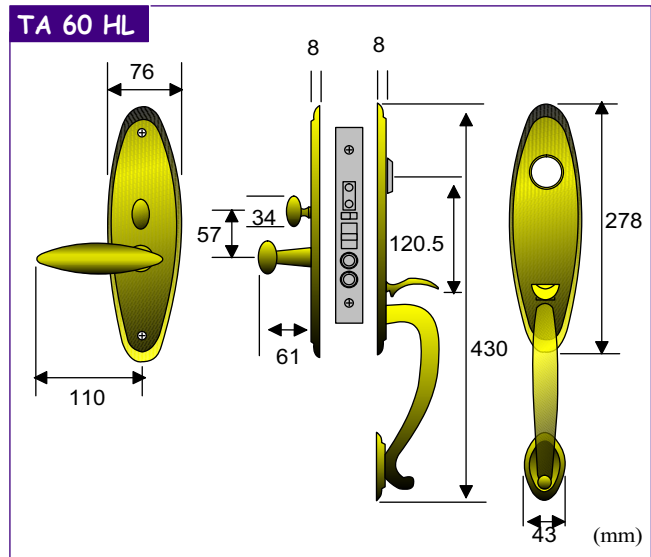
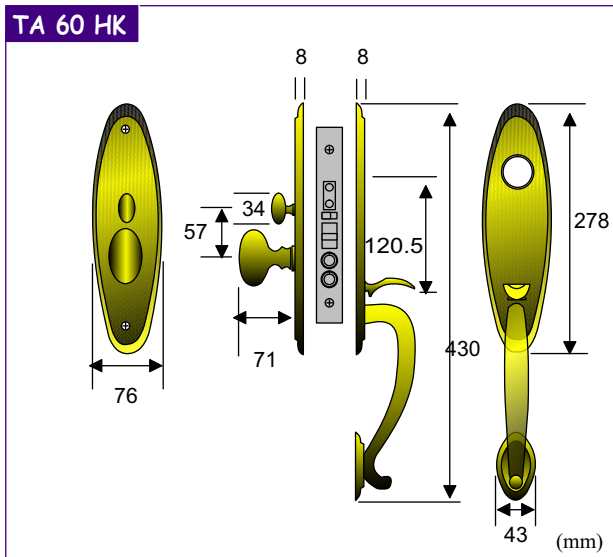
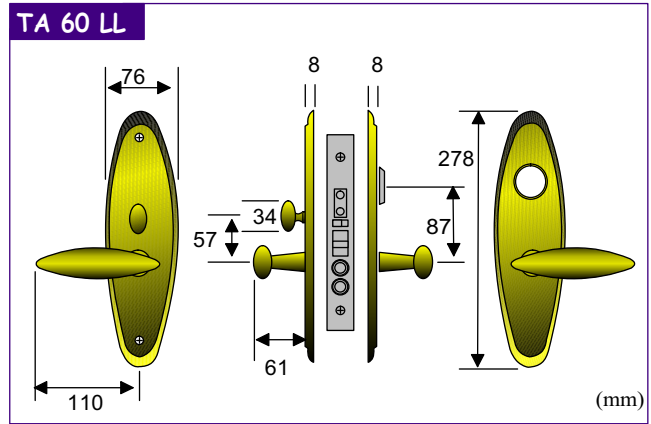
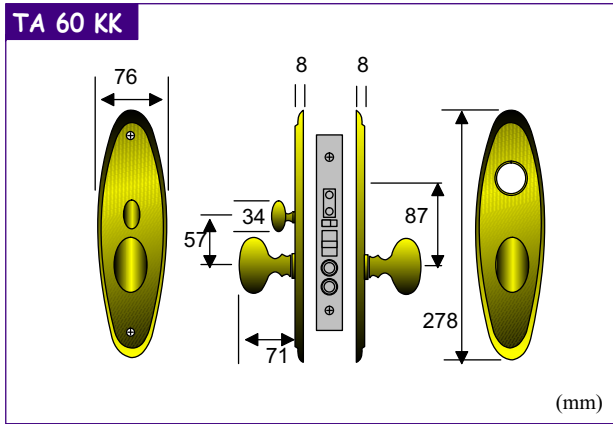
Material:
Forged Brass.
Hub size:
8mm Square

Finishes available:
US 10B, 6, PVD.

Remark :
Mortise Lock Case and Cylinder
are excluded. Please refer to
catalogue pages A01 to A21
for various lock functions,
Strike and the proper length
of cylinder.



Series 'TA60' Trim Set for Series 'A' Mortise Door Lock Case



T06

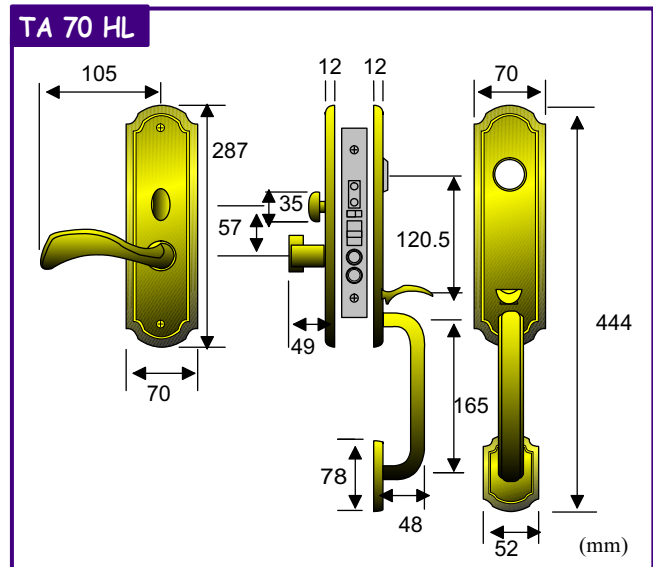
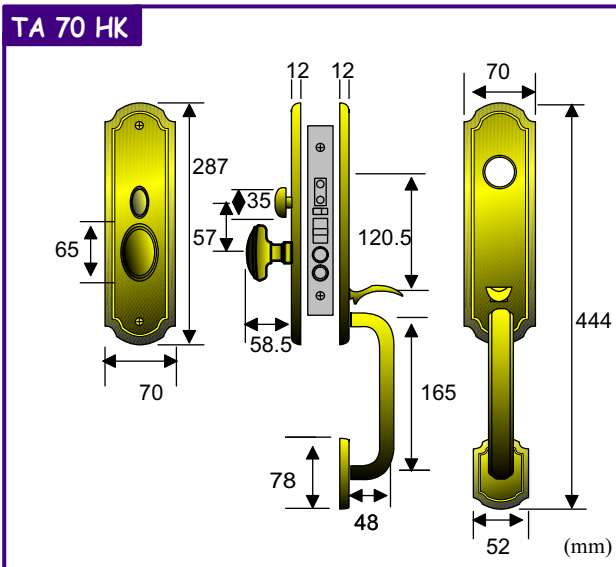
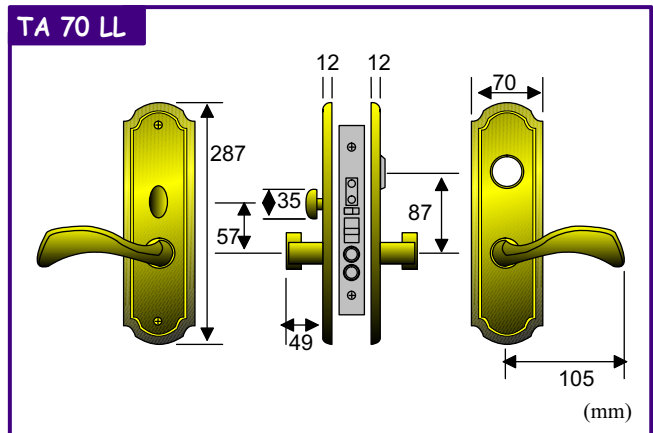
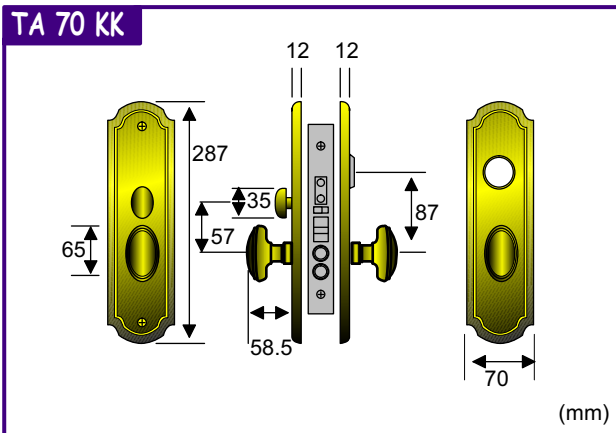
Material: Escutcheon - Forged brass
Lever/thumb piece - Forged Brass.

Hub size: 8mm Square

Finishes available:
US 10B, 15, 15A, 19, 26, 26D,
3, 5 and PVD.

Remark : Mortise Lock Case and Cylinder are excluded. Please refer to catalogue pages A01 to A21 for various lock functions, Strike and the proper length of cylinder.

Series 'TA70' Trim Set for Series 'A' Mortise Door Lock Case



T07

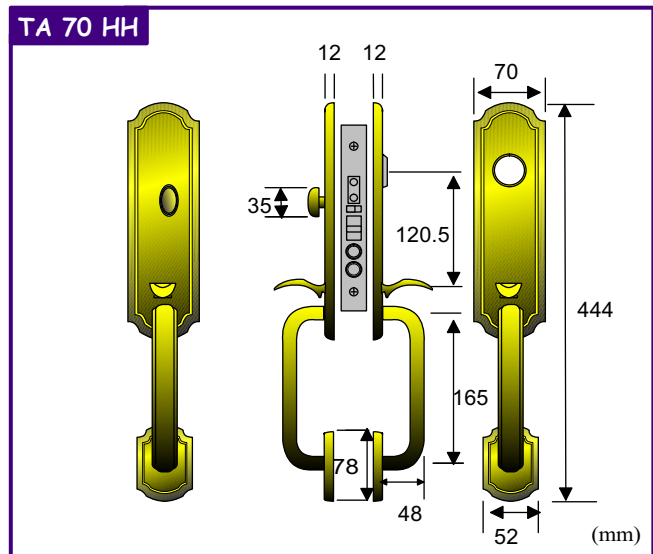
Material: Escutcheon - Forged Brass
Lever/thumb piece - Forged Brass.

Hub size: 8mm Square

Finishes available:

US 10B, 15, 15A, 19, 26, 26D,
3, 5 and PVD.

Remark : Mortise Lock Case and Cylinder are excluded. Please refer to catalogue pages A01 to A21 for various lock functions, Strike and the proper length of cylinder.



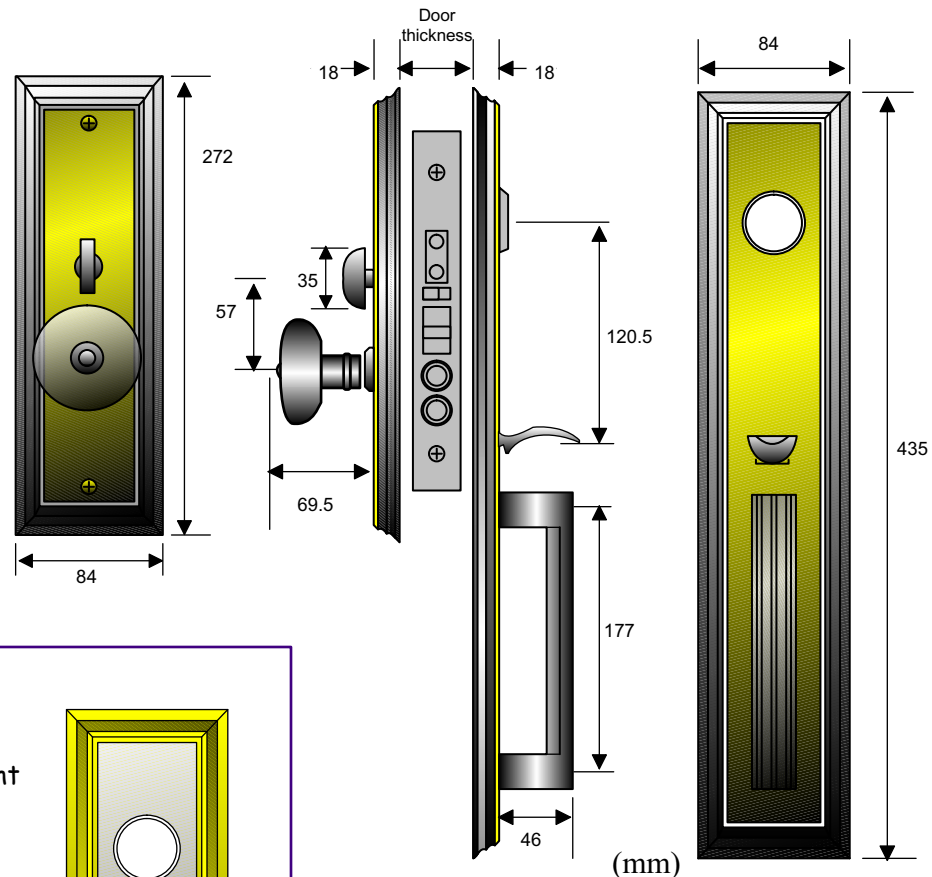
Series 'TA80' Trim Set for Series 'A' Mortise Door Lock Case

TA 80 HK

Two 2-tone finishes available:

PC-A:
Escutcheon - Bright chrome frame with PVD plated front plate.

Knob/T.Turn/Thumb Piece/Handle - Bright Chrome



PC-B:
Escutcheon - PVD frame with bright chrome front plate

Knob/T.Turn/Thumb Piece and Handle - PVD 18K gold finish.

T08

Material : Forged Brass
Hub size: 8mm Square
Finishes: US10B, PC-A, PC-B

Remark :
Mortise Lock Case and Cylinder are excluded. Please refer to catalogue pages A01 to A21 for various lock functions, Strike and the proper length of cylinder.

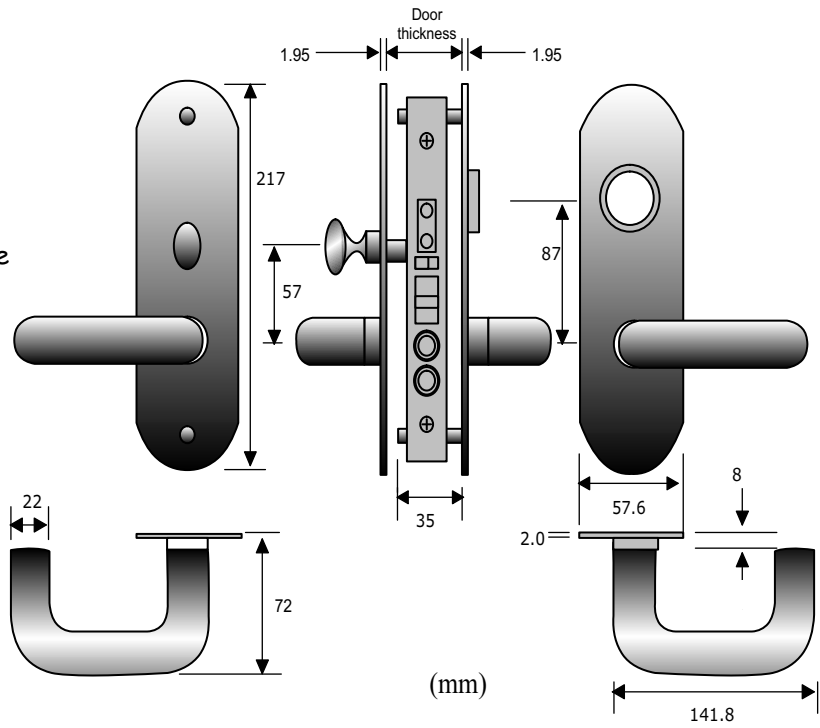
**Models 'TA 91' and 'TA 92' Trim Sets
for Series 'A' Mortise Door Lock Case**

TA 91 LL

Material :
Lever/escutcheon:
Stainless Steel
Hub size: 8.0mm on Square

Finish: US 32D

Remark:
Mortise Lock Case and
Cylinder are excluded.
Please refer to catalogue
pages A01 to A21 for various
lock functions, Strike and
the proper length of cylinder.

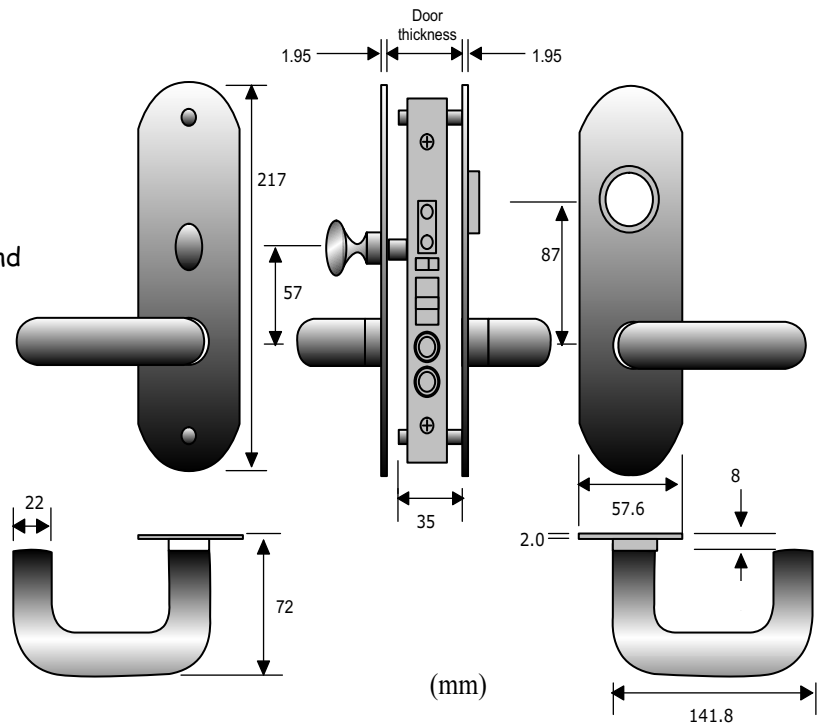


TA 92 LL

Material :
Lever/escutcheon:
Stainless Steel
Hub size: 7.3mm on Diamond

Finish: US 32D

Remark:
Mortise Lock Case and
Cylinder are excluded.
Please refer to catalogue
pages A01 to A21 for various
lock functions, Strike and
the proper length of cylinder.



T09

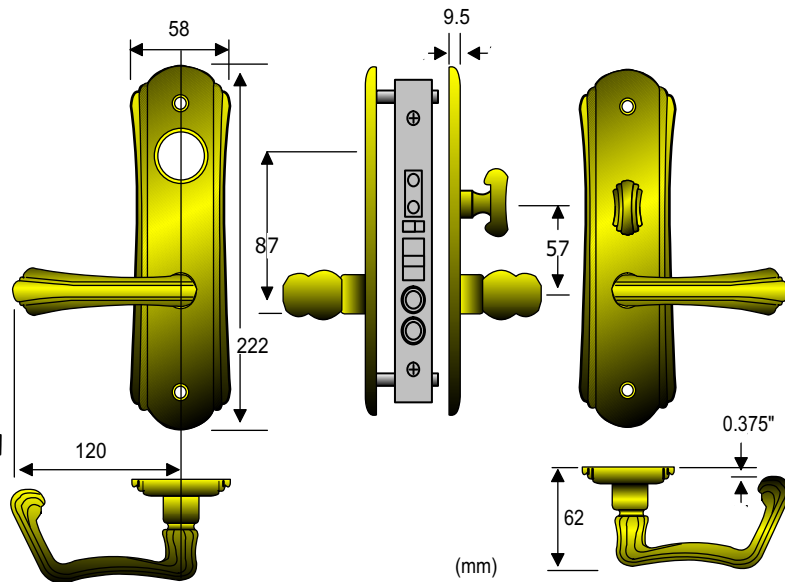
Models 'TA95' & 'TA96' Classic Stainless Steel Lever Set

TA 95 LL

Material : Investment-cast
stainless steel
Hub size: 8mm Square

Finishes :

- US32 Bright polished
- US32D Satin
- ZG32 Bright polished
stainless steel and
Zirconium/Gold
- ZG32D Satin stainless steel
and Zirconium/Gold



Remark :

Mortise Lock Case and Cylinder are excluded. Please refer to catalogue pages 6 to 21 for various lock functions, Strike and the proper length of cylinder.

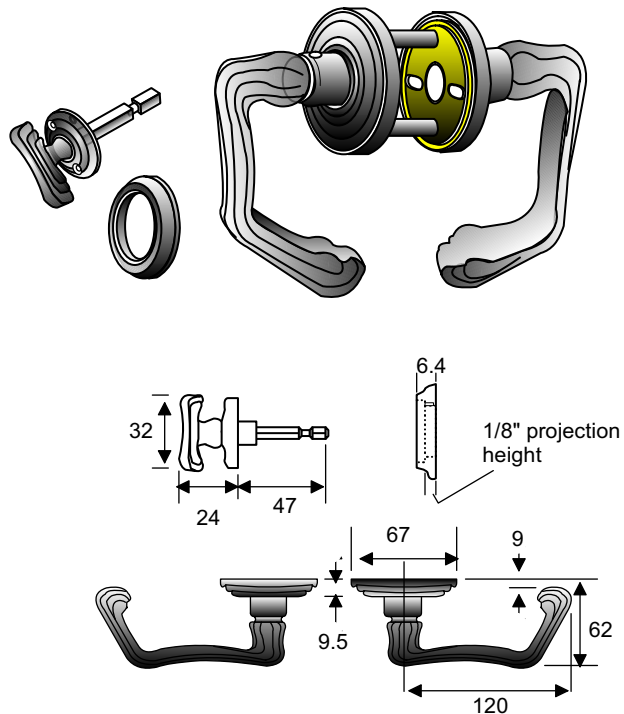
T10

TA 96 LL

Material : Investment-cast
stainless steel
Hub size: 8mm Square

Finishes :

- US32 Bright polished
- US32D Satin
- ZG32 Bright polished
stainless steel and
Zirconium/Gold
- ZG32D Satin stainless steel
and Zirconium/Gold



Remark :

Mortise Lock Case and Cylinder are excluded. Please refer to catalogue pages A01 to A21 for various lock functions, Strike and the proper length of cylinder.

Memo

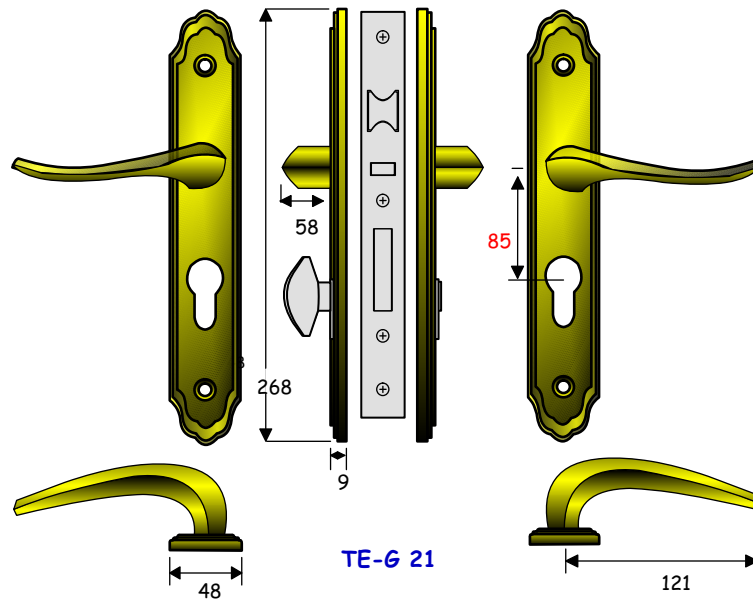
T11

**Models TE-G Brass & TE-H Stainless Steel
Trim Set for 'E' Euro Mortise Lock Case**

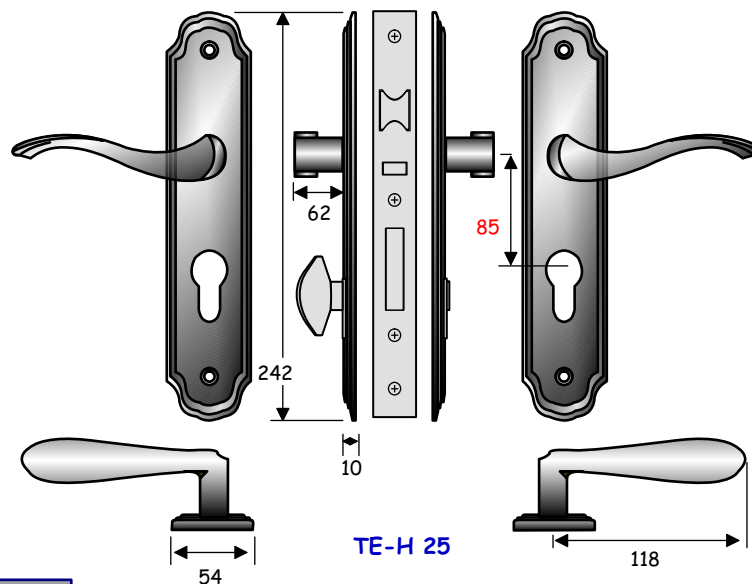
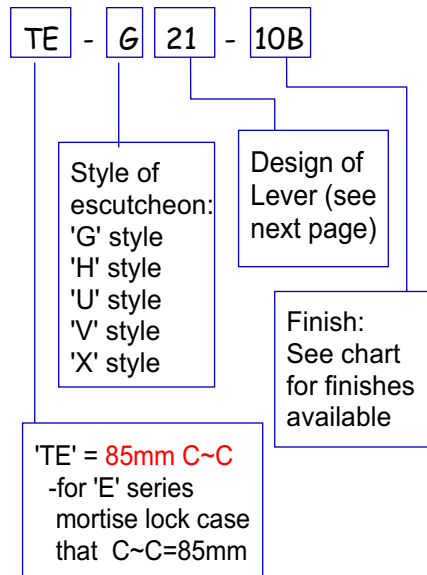
Models 'TE-G' and 'TE-H' Trim Sets are also designed to accommodate 'E' series Euro Mortise Lock case that is formed with 85mm Lever Center to Cylinder center as shown on page 34 and page 36.

The model TE-G21 is made of forged brass. Model TE-H25 is made of investment cast stainless steel.

Hub size: 8mm on square



Code Interpretation Guide



Model Nos.	Material	Finish
TE-G21	Forged Brass	10B, PVD
TE-H25	Investment casted Stainless steel	32D

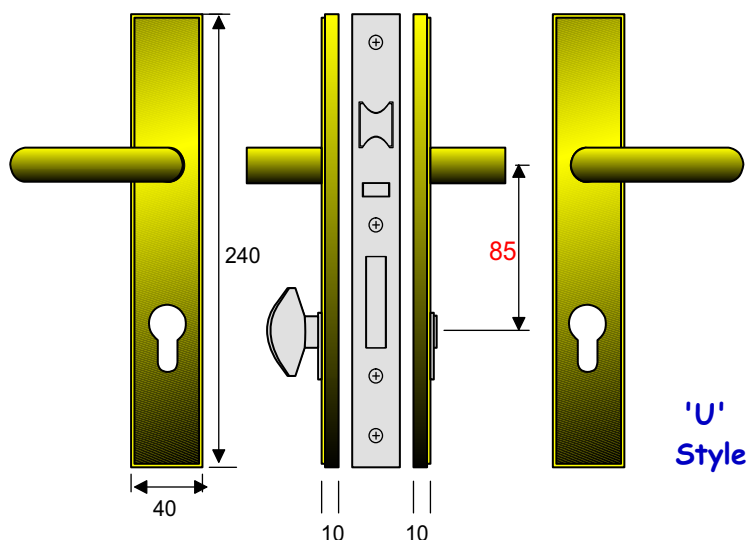
Cylinder and Mortise lock case are excluded. Please see pages E01 to E03 for series 'E' Mortise Lock Cases and page E14~E15 for the 'EC' Euro Profile Cylinder accessories.

Series 'TE' Trim Set for 'E' Euro Mortise Lock Case

Baton Series 'TE' Trim Sets are designed to accommodate European style Mortise lock cases (see page 33 to 36 for various function of Series 'E' Euro Mortise Lock Case).

Nine (9) styles of forged brass Levers as shown on the page followed are available for adopting to the following 3 styles of the escutcheons.

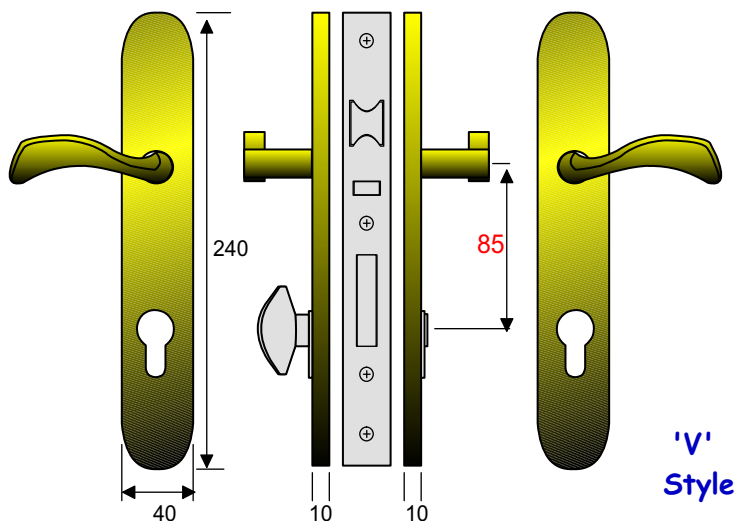
- 'U' style
- 'V' style
- 'X' style



'U'
Style

The escutcheon both of the 'U' and 'V' styles are made of forged brass. The 'X' style sectional brass trim set consists of 2 sets of Rosettes, one for the Lever and one for the Euro Profile Cylinder. The 'X' style features a double rosette design. The bolting screws are concealed behind the clip-on upper Rosette.

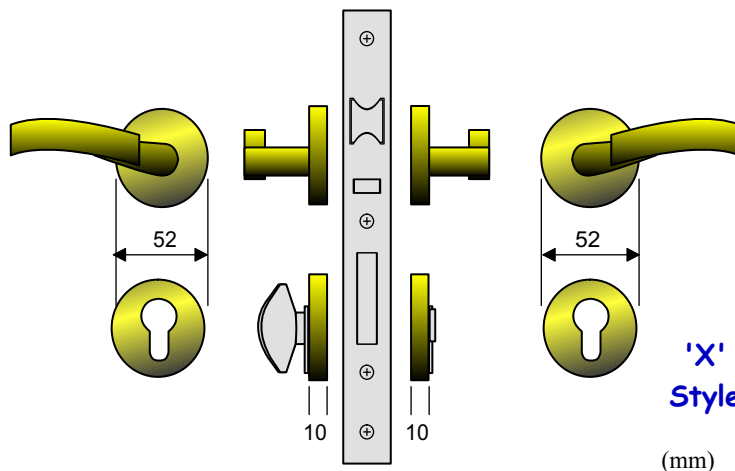
Hub size: 8mm on square



'V'
Style

Model Nos.	Description	Finish
TE-U__	'U' type trim set	(See next page)
TE-V__	'V' type trim set	
TE-X__	'X' type trim set	

Cylinder and Mortise lock case are excluded. Please see pages E01 to E07 for 'E', 'F' Mortise Lock Cases, and page E14, E15 for 'EC' Euro Profile Cylinder accessories.

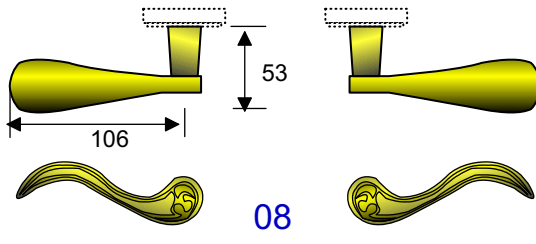
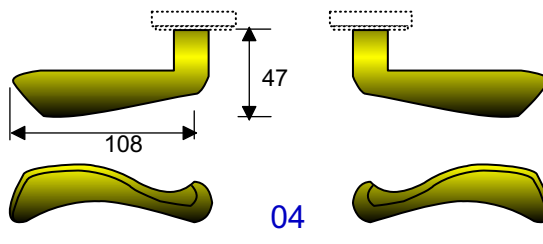
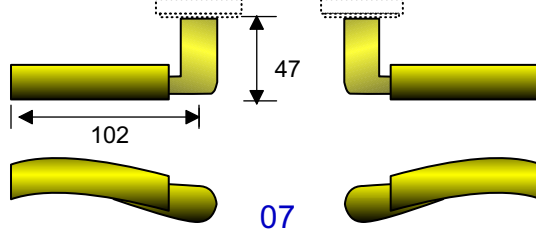
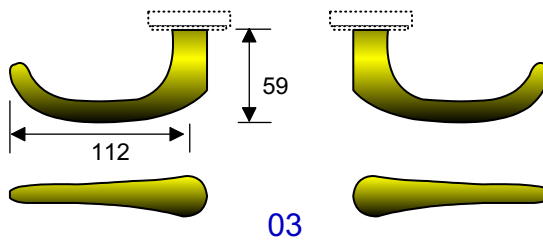
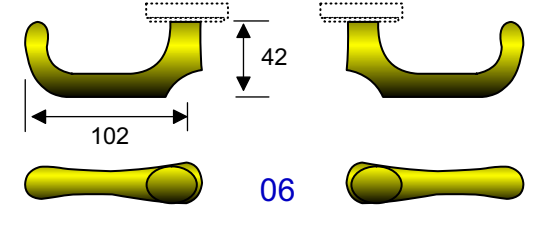
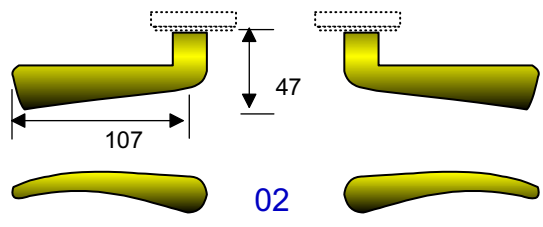
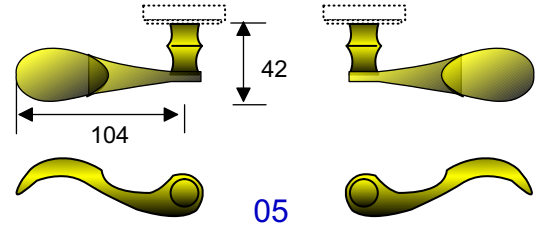
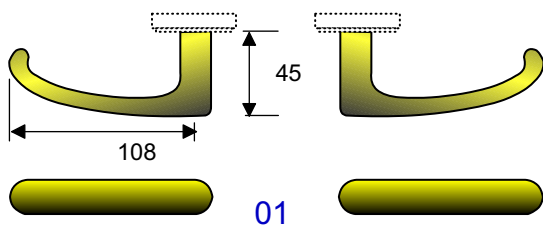


'X'
Style

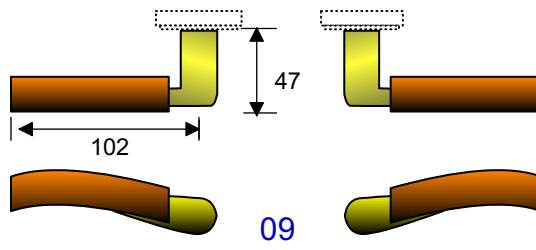
(mm)

Classic & Modern Brass Levers for Series 'TE' Trim Sets

The Levers shown below are designed to accommodate 'TE' Trim Sets, both for the one-piece construction 'U' or 'V' escutcheons, and style 'X' the Modern/small sectional rosette. Various finishes are available to order.

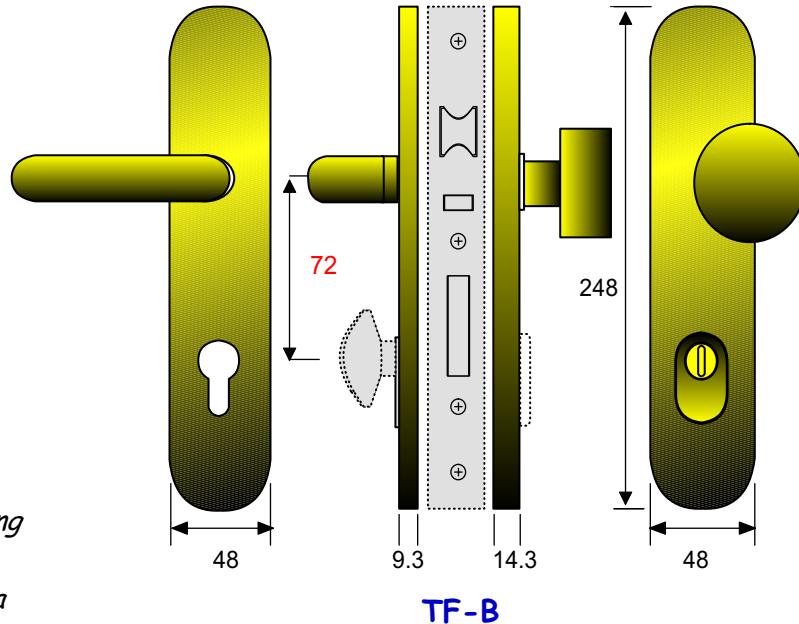


Model Nos.	Material	Finish
01, 02, 03, 04, 05, 06, 07, 08	Wrought brass	10B, 15, 15A, 26, 26D, 3, PVD
09	Wrought brass w/mahogany deco	26, PVD



**Series TF-B & TF-D Super Duty Trim Set
for 'F' Euro Mortise Lock Case**

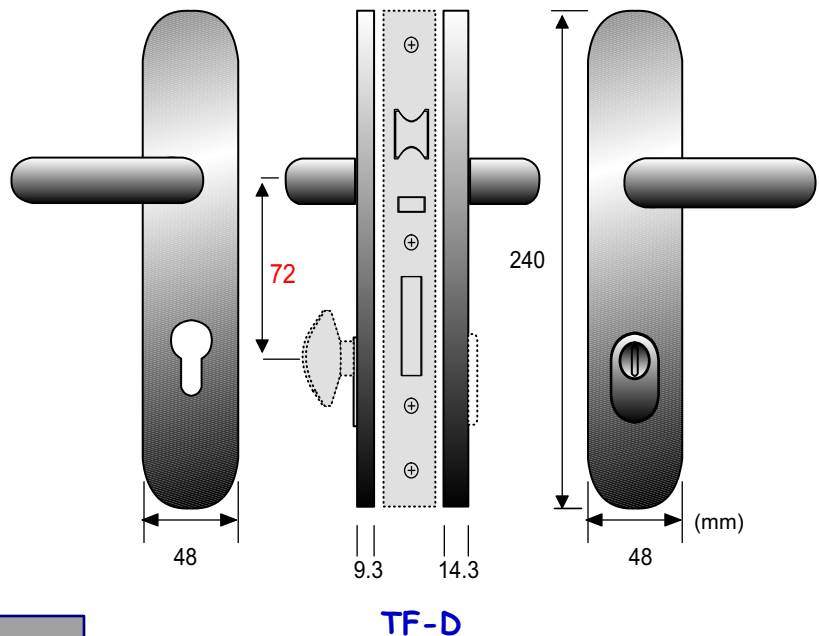
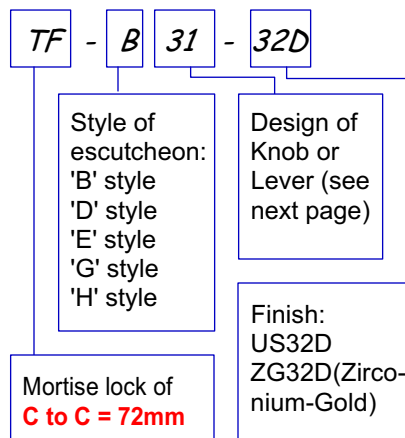
The Series TF-B and TF-D Super Duty Trim sets are designed for extra special security. Heavy gauge stainless steel exterior escutcheon is constructed with a 1/2" thick solid one-piece construction steel plate and is secured with 3 alloy bolting screws over the 5mm thick interior bracket. An anti-drilling hardened steel guard plate is installed inside the length-adjustable cylinder protection assembly to add extra security. It provides extra protection against pulling, drilling, hammering or prying open by a burglar. Model TF-B Lever set features a rigid outside pull knob.



Finishes: US32D & PVD

T15

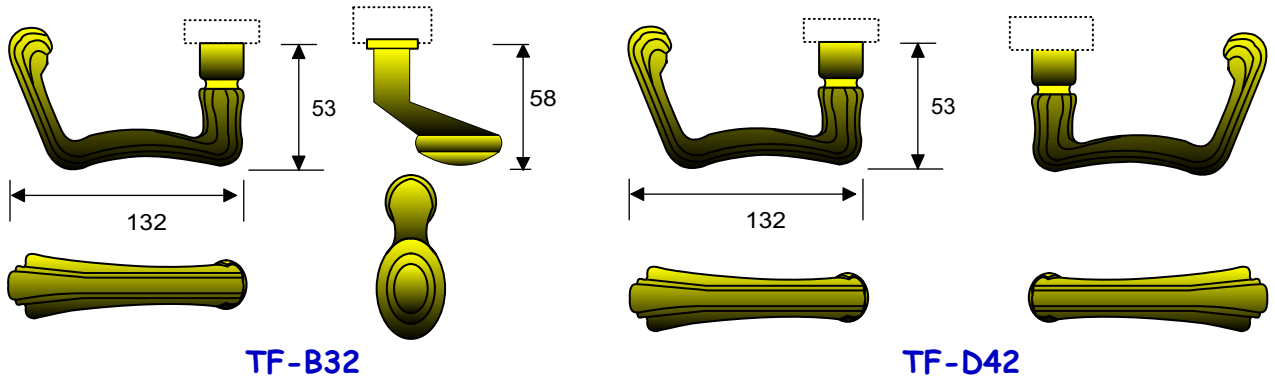
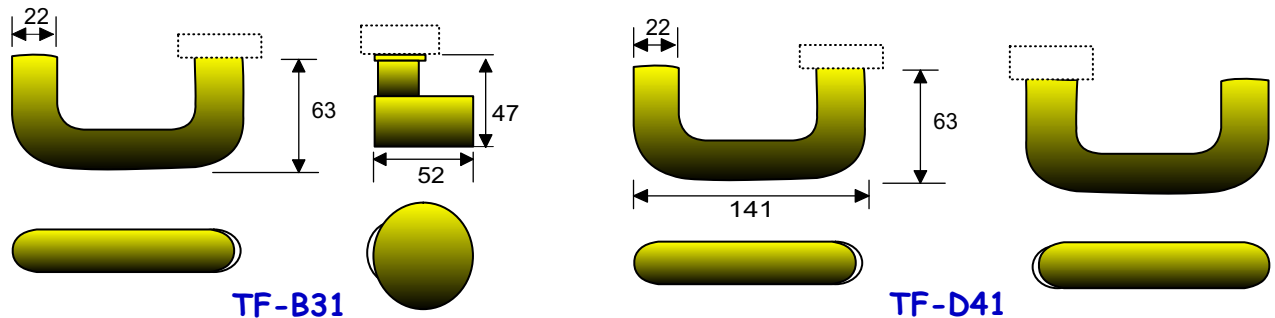
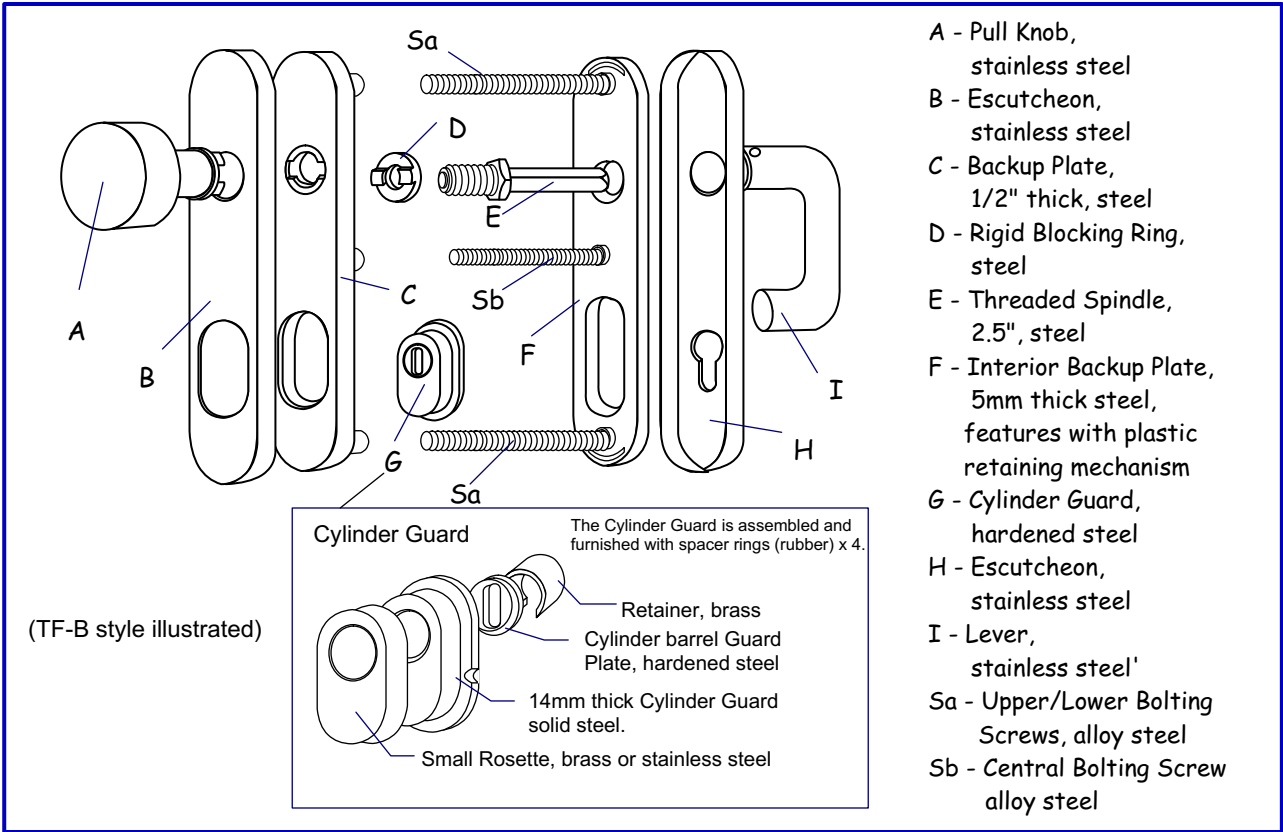
Code Interpretation Guide



Model Nos.	Description	Finish
TF-B31	'B' style trim set K/L	32D, PVD
TF-B32	'B' style trim set K/L	"
TF-D41	'D' style trim set L/L	"
TF-D42	'D' style trim set L/L	"

Cylinder and Mortise lock case are excluded. Please see page E06, E07 for 'F' Mortise Lock Cases and pages E14 to E16 for 'EC' Euro Profile Cylinder and accessories.

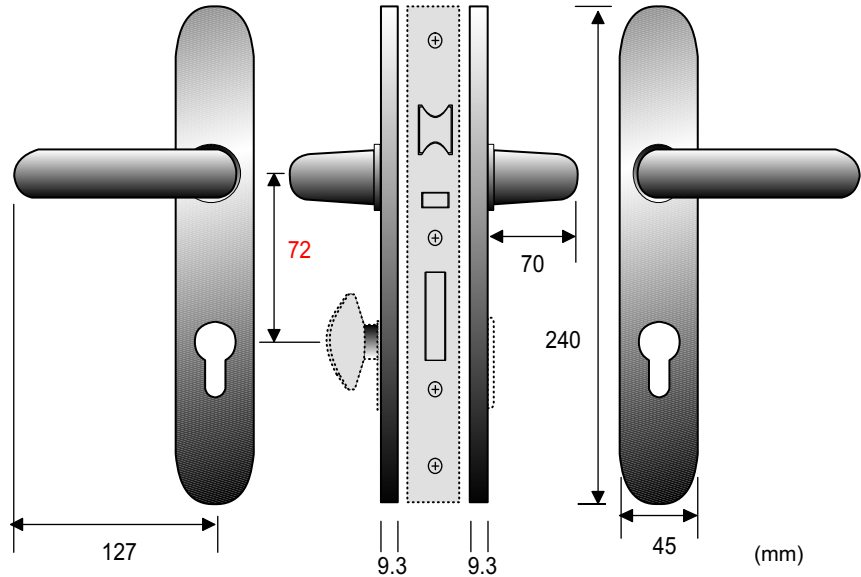
Stainless Steel Pull Knob and Lever for series TF-B & TF-D Super Duty Trim Set



Model TF-E Stainless Steel Trim Set for 'F' Euro Mortise Lock Case

Cast investment solid stainless steel lever featured with heavy gauge stainless steel escutcheon.

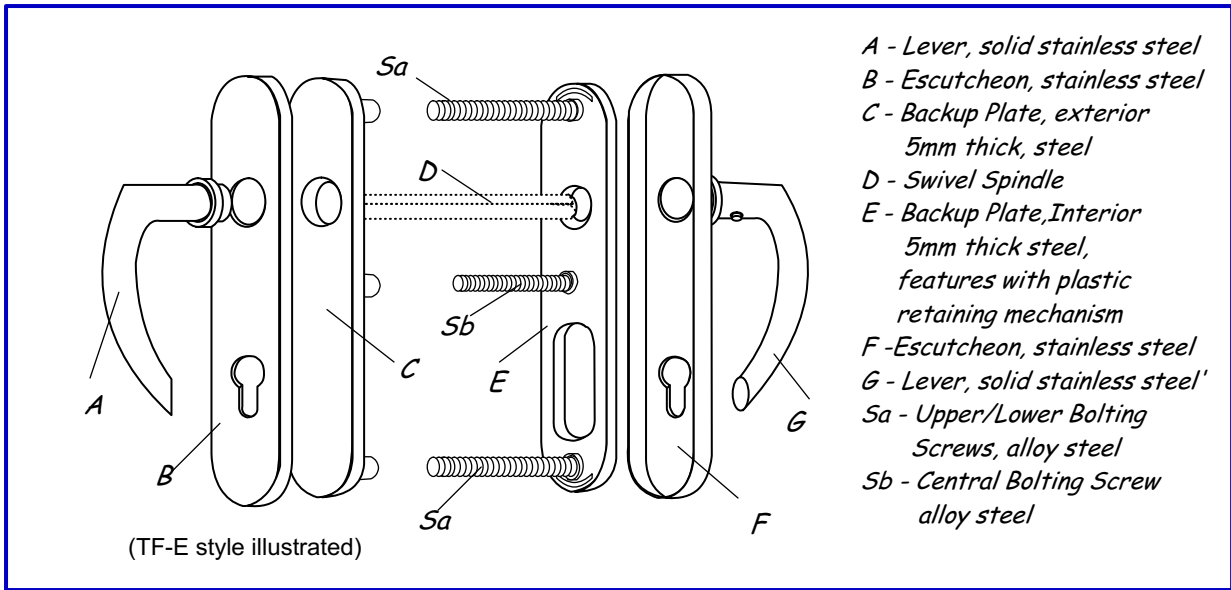
Both of the exterior and interior escutcheons are constructed with a 5mm thick steel backup plate; and are secured with 3 alloy bolting screws between door. It provides extra protection against pulling, drilling, hammering or prying open by burglar. Bolting screws are concealed and covered by the click-on escutcheos.



Finishes: US32D & PVD

TF-E

T17



Model Nos.	Material	Finish
TF-E45	Investment casted Stainless steel	32D, PVD

Cylinder and Mortise lock case are excluded. Please see pages E06, E07 for series 'F' Mortise Lock Cases and page E14 to E16 for the 'EC' Euro Profile Cylinder and accessories.

**Models TF-G Brass & TF-H Stainless Steel
Trim Set for 'F' Euro Mortise Lock Case**

These two elegance 'TF' Trim Sets are also designed to accommodate Baton 'F' series Euro Mortise Lock case that is formed with 72mm Lever Center to Cylinder center as shown on page E06 and E07.

Material:

Model TF-G21

Escutcheon - Forged brass
lever - Forged brass.

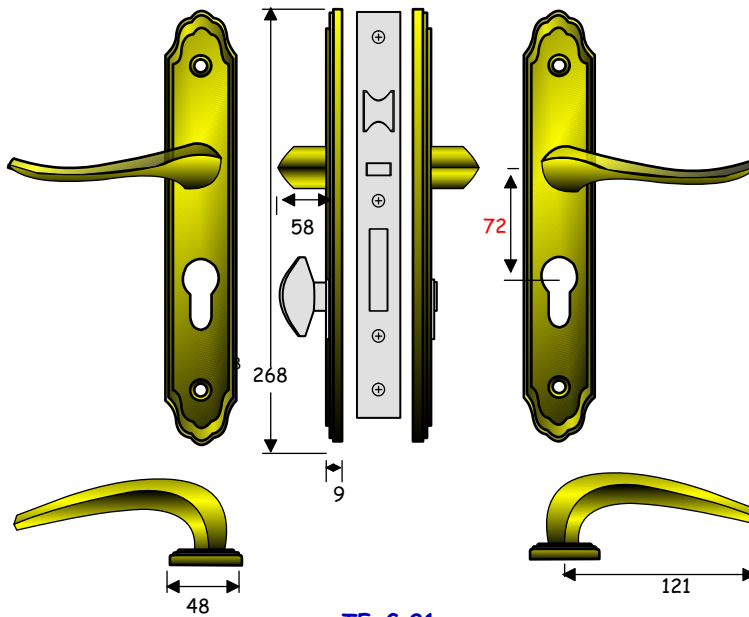
Model TF-H25

Escutcheon - Cast investment
stainless steel.

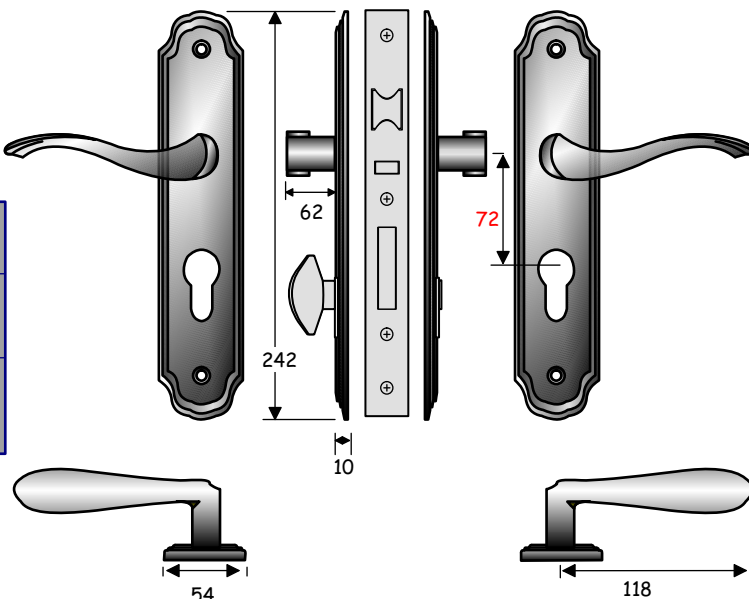
Lever - Cast investment
stainless steel

Hub size: 8mm on square

Model No.	Material	Finish
TF-G21	Forged Brass	10B, PVD
TF-H25	Cast Investment Stainless steel	32D



TF-G 21



TF-H 25

Cylinder and Mortise lock case are excluded. Please see pages E06, E07 for series 'F' Mortise Lock Cases and page E14 to E16 for the 'EC' Euro Profile Cylinder and accessories.

Series 'TL' Brass Lever Set

Baton Series 'TL' Lever Sets provide the ultimate in elegance, beauty and style. It will accommodate Baton's series 'LT' Tubular Latches. Please refer to pages L01 to L09 for options.

Three styles of Rosettes : Classic (C), Modern Large (M) and Modern Small (N) for your choice to adapt to the 8 styles of elegant Levers as shown on next page.

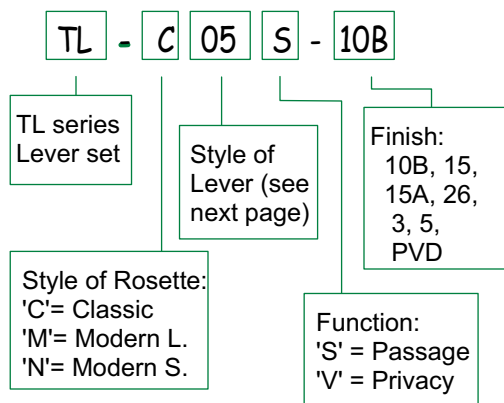
All rosettes are made of wrought brass and available in the following finishes:

US10B, 15, 15A, 26, 3, 5 & PVD

Hub size: 8mm on square

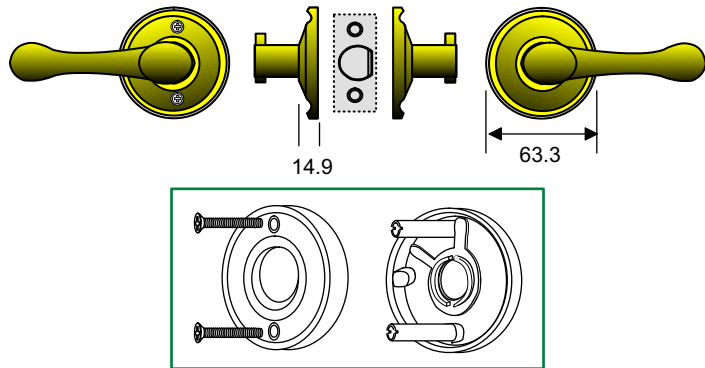
T19

Code Interpretation Guide

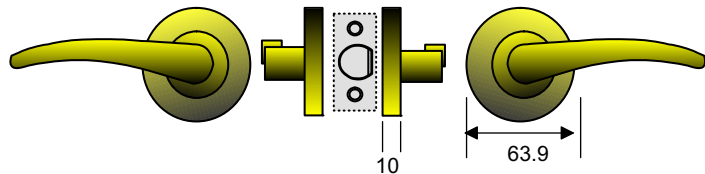


Model Nos.	Description	Finish
TL-C__	'U' type trim set	(See next page)
TL-M__	'V' type trim set	
TL-N__	'X' type trim set	

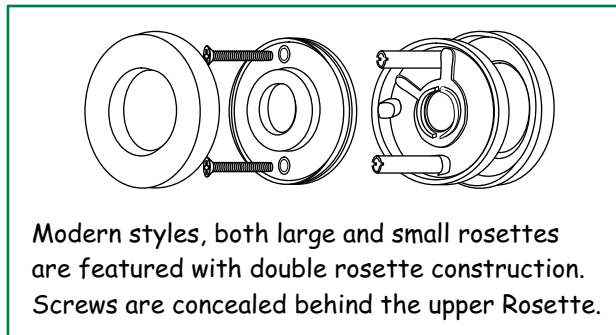
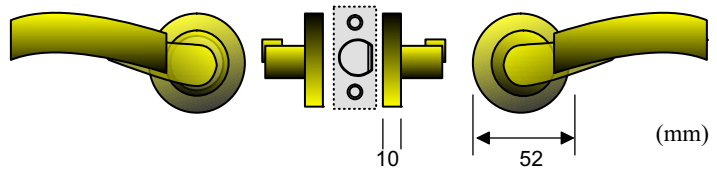
Classic style Rosette



Modern style Rosette (L)



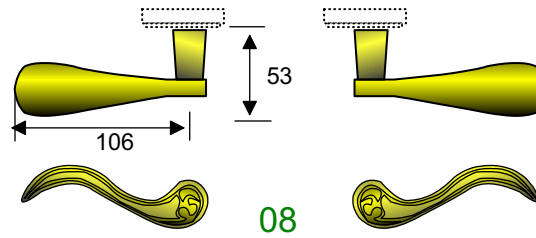
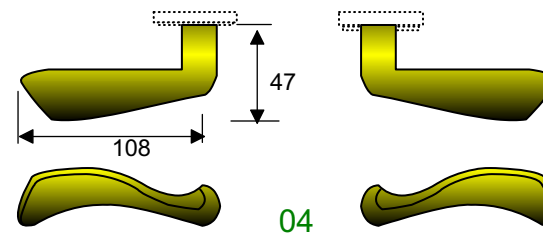
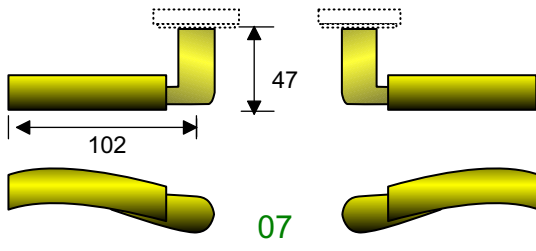
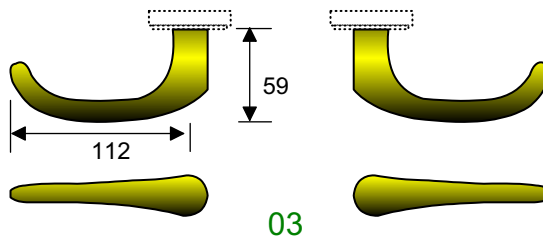
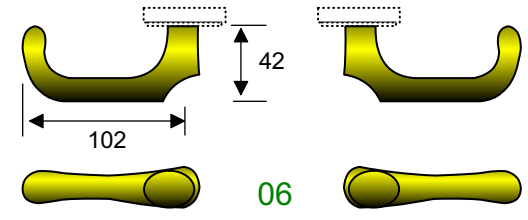
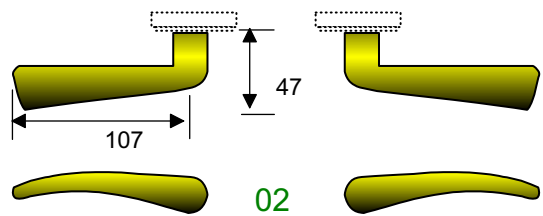
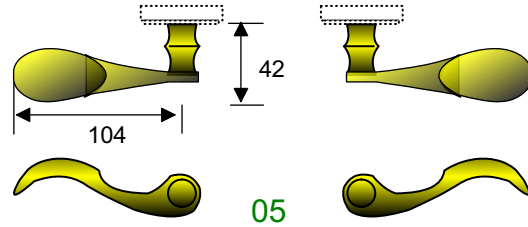
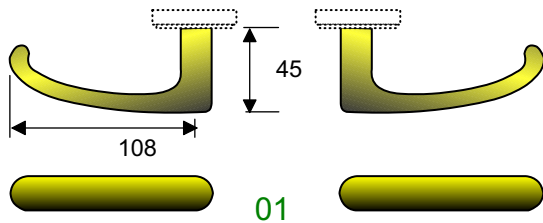
Modern style Rosette (S)



Latch is excluded. Please see pages L01~L09 for series 'LT' Passage or Privacy Latch and related accessories.

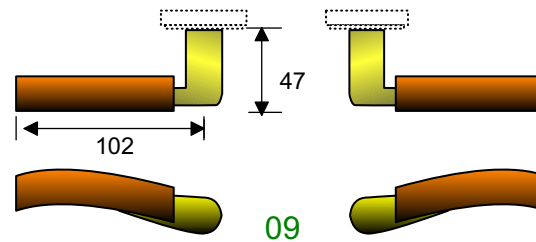
**Forged Brass Classic & Modern
Levers for Series 'TL' Lever Sets**

The Levers shown below are designed to match with the Classic, Modern Large and Modern Small Rosette of series 'TL' Lever Sets as per described on page left. Various finishes are available to order.



T20

Model Nos.	Material	Finish
01, 02, 03, 04, 05, 06, 07, 08	Wrought brass	10B, 15, 15A, 26, 26D, 3, PVD
09	Wrought brass w/mahogany deco	26, PVD



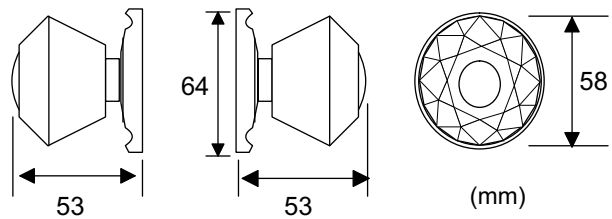
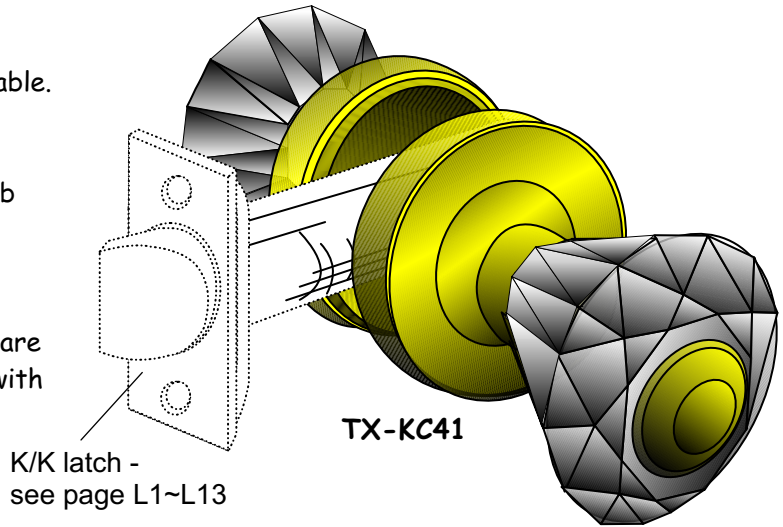
Series 'TX-K'
Crystal & Brass Knob Sets

Baton Series 'TX-K' Knob Sets combine style and beauty. Three models are available.

Model TX-KC41 is featured with 2-5/16" Crystal Glass Knobs. The Rosette and knob shank are made of brass. Finish: US26 & PVD

The knob of Models TX-KM53 and KM54 are made of forged brass, and are featured with a double Rosette design. The bolting screws are concealed behind the Snap-On upper Rosette. Both the upper and lower Rosettes are made of wrought brass. Hub size: 8mm on square

Finishes available :
US10B, 15, 15A, 26, 3 & PVD

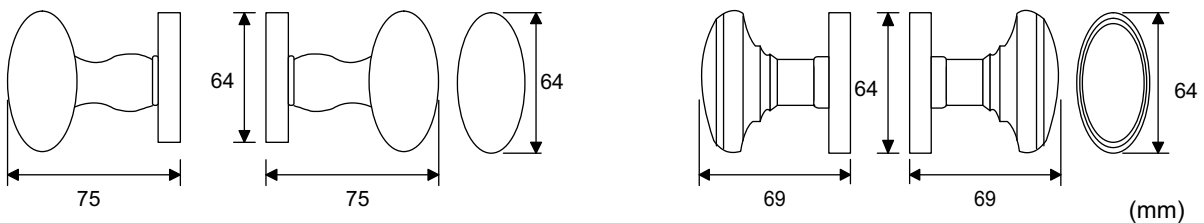
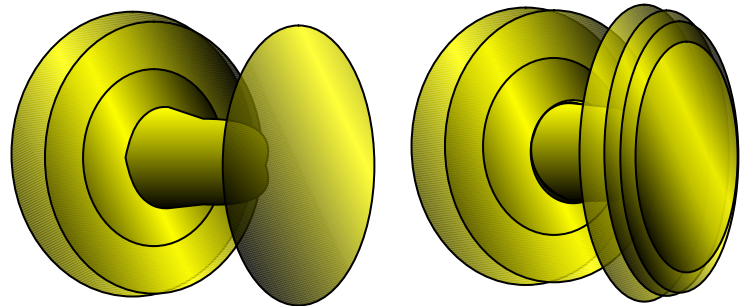


Model Nos.	Description
TX-KC41	Knob set, Crystal glass
TX-KM53	Knob set, Forged brass
TX-KM54	Knob set, Forged brass

T21

Latch and Mortise Lock case and Spindle are separate purchase items. Please refer to

- a) pages L01~L09 for Series 'LT' Tubular Latches and related accessories
- b) pages A01 to A10 for Series 'A' Mortise Lock Cases and
- c) pages D10, D11 and E01~E13 for Series 'D', 'E', 'F', 'G', 'K' Mortise Lock Cases
- d) page T25 for optional Spindles



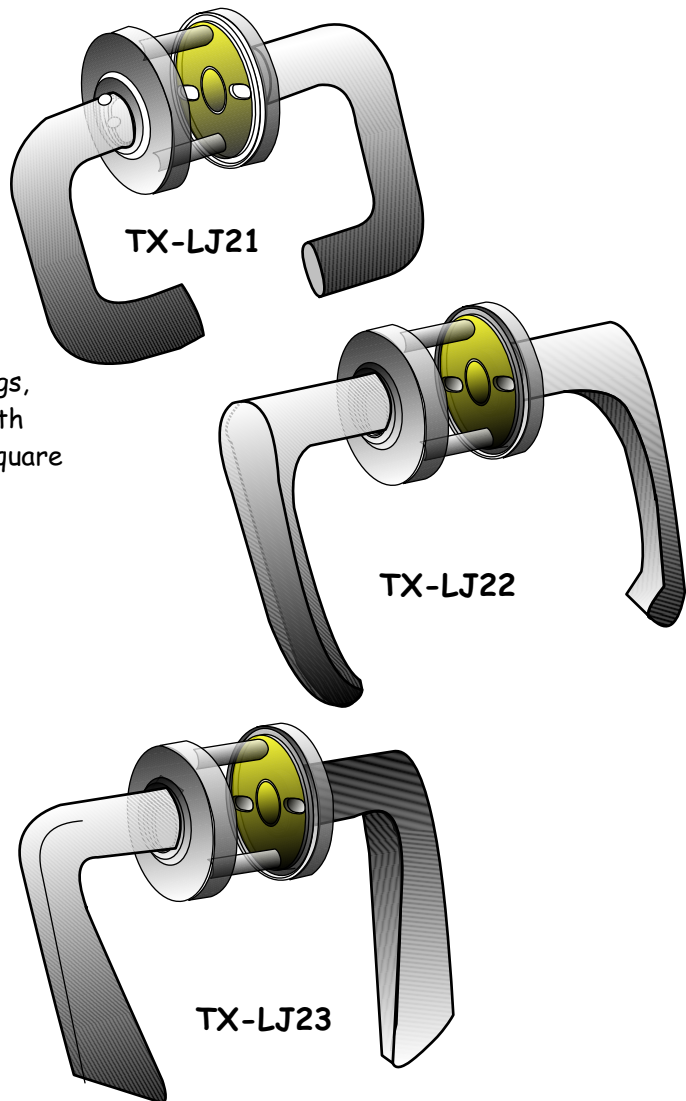
**Series 'TX-LJ' Lever Sets
- Stainless Steel**

Series TX-LJ Lever Sets are featured with Baton's LT-RA281 Rosette Adapter, coupled with stainless steel Rosettes and Levers.

The concealed Mounting screw design allows these Lever sets to be used for series 'A' Mortise Lock, series 'F', 'E' Euro Mortise Lock, series 'D' Mortise Lock and series 'LT' Tubular Latches.

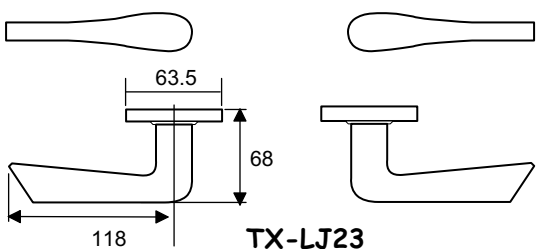
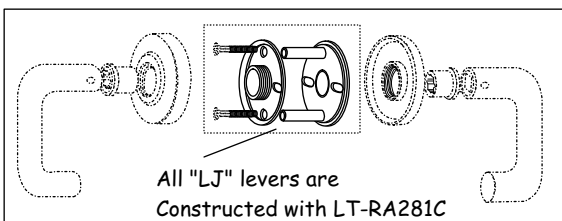
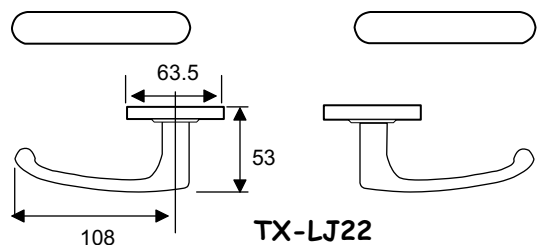
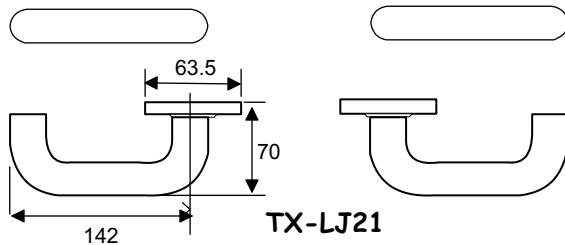
The package comes with 2 nylon spindle bushings, for 7.3mm and 8.0mm spindles, to ensure smooth and long lasting operation. Hub size: 8mm on square. Specify Passage or Privacy when ordering.

Stock No.	Description & finish
TX-LJ21	Lever set, US32D
TX-LJ22	Lever Set, US32D
TX-LJ23	Lever Set, US32D



- Latch and Mortise Lock case and Spindle are separate purchase items. Please refer to*
- a) pages L01~L09 for Series 'LT' Tubular Latches and related accessories
 - b) pages A01 to A10 for Series 'A' Mortise Lock Cases and
 - c) pages D10, D11 and E01~E13 for Series 'D', 'E', 'F', 'G', 'K' Mortise Lock Cases
 - d) page T25 for optional Spindles

T22

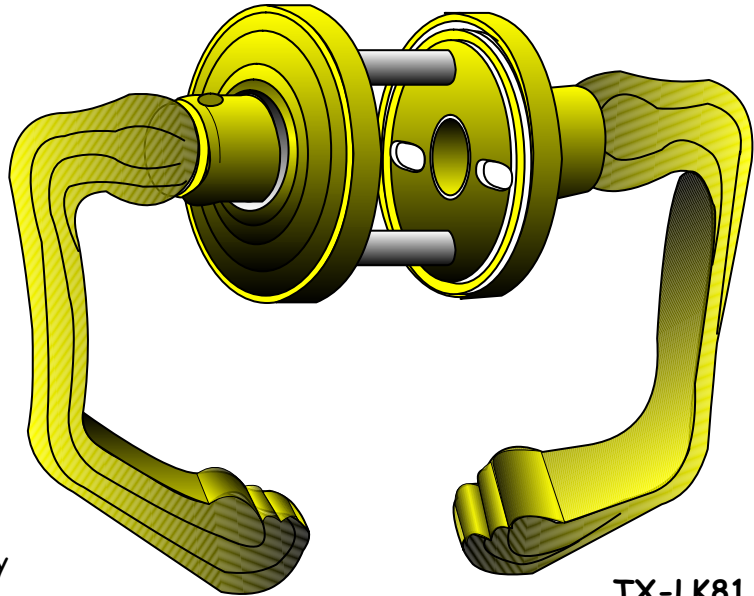


**Model TX-LK81 Classic Lever Set
- Solid Stainless Steel**

Baton Series TX-LK81 Lever Set combines elegance and classic beauty. The investment casting stainless steel solid Lever and 2mm thick Rosette are constructed with Baton's plug type Rosette Adapter (LT-RA281D). Bolting screws are concealed, and coupled with unmatched style and reliability.

The 1-1/2" center to center threaded post works with Series 'LT' Tubular Latch and Series 'A' Mortise Lock cases.

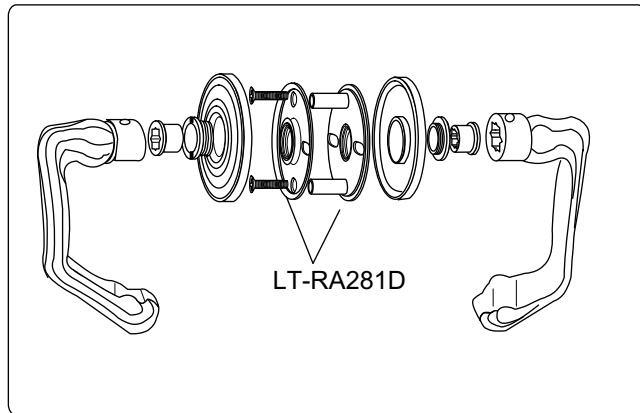
Hub size: 8mm on square. Please refer to page 83 for optional Spindles. Specify Passage or Privacy when ordering.



TX-LK81

Finishes:

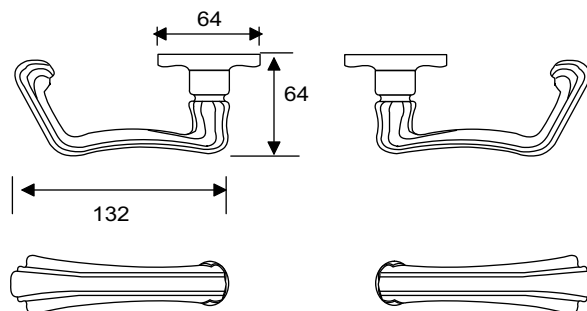
- US32 Bright polished stainless steel
- US32D Satin stainless steel
- ZG32 Bright polished stainless steel and Zirconium/Gold
- ZG32D Satin stainless steel and Zirconium/Gold



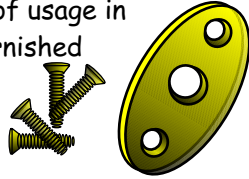
Sock No.	Description
TX-LK81	Classic Lever Set

Latch and Mortise Lock case and Spindle are separate purchase items. Please refer to

- a) pages L01~L09 for Series 'LT' Tubular Latches and related accessories
- b) pages A01 to A10 for Series 'A' Mortise Lock Cases and
- c) pages D10, D11 and E01~E13 for Series 'D', 'E', 'F', 'G', 'K' Mortise Lock Cases
- d) page T25 for optional Spindles



Baton series 'TX-T' Thumb Turns are made of forged brass. The optional 5mm square and breakable flat style steel spindles provide a wide range of usage in many applications. Furnished with front plate and mounting screws.

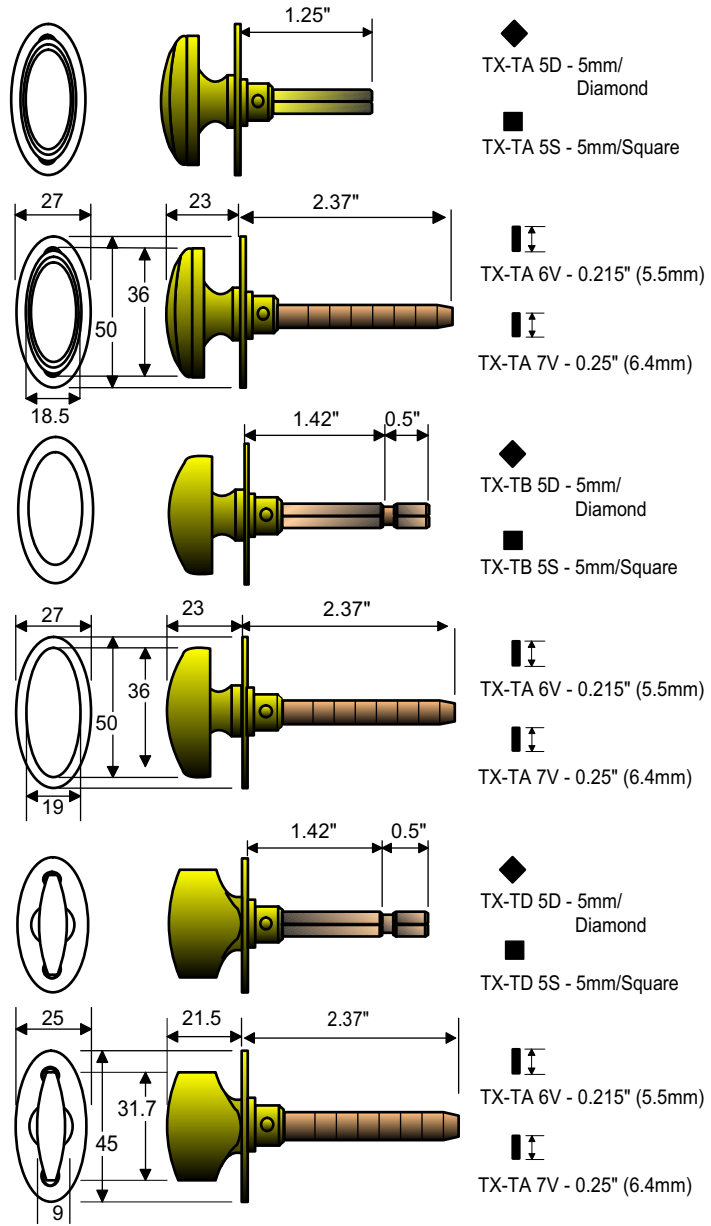
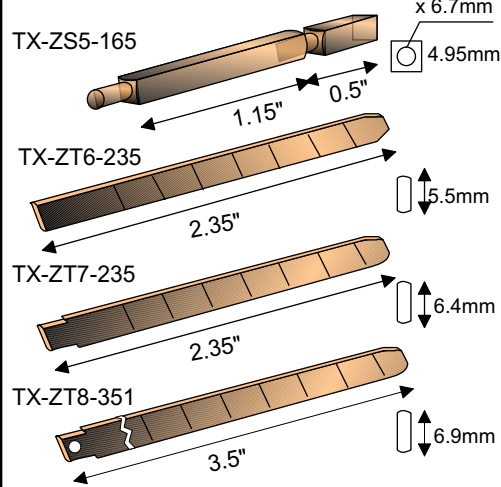


Finishes available:

- TA - US10B, 15, 15A, 26, 3
- TB - US10B, 15, 19, 26, 26D, 3
- TD - US10B, 15, 19, 26D, 3



Spindle and snapable Tails



T24

Model Nos.	Spindle type	Hub styles to fit	Baton products to fit
TX-TA 5D TX-TB 5D TX-TD 5D	5mm on Diamond		Mortise lock case series A & C, D Mortise bolts LT245MB, LT780/783/786MB Dead bolt latch D400-DA/DB/DC/DF/DH
TX-TA 5S TX-TB 5S TX-TD 5S	5mm on Square		LT245MB and Euro style latch/bolt comes with 5mm on square hub
TX-TA 6V TX-TB 6V TX-TD 6V	0.215" W on Vertical		Mortise lock case series A, Hook lock C275HX, Mortise bolt LT245MB, LT780/ 783/786 w/5mm on Diamond hub
TX-TA 7V TX-TB 7V TX-TD 7V	0.25" W. on Vertical		Mortise lock cases seroes D500, D600 Deadbolt latches D4

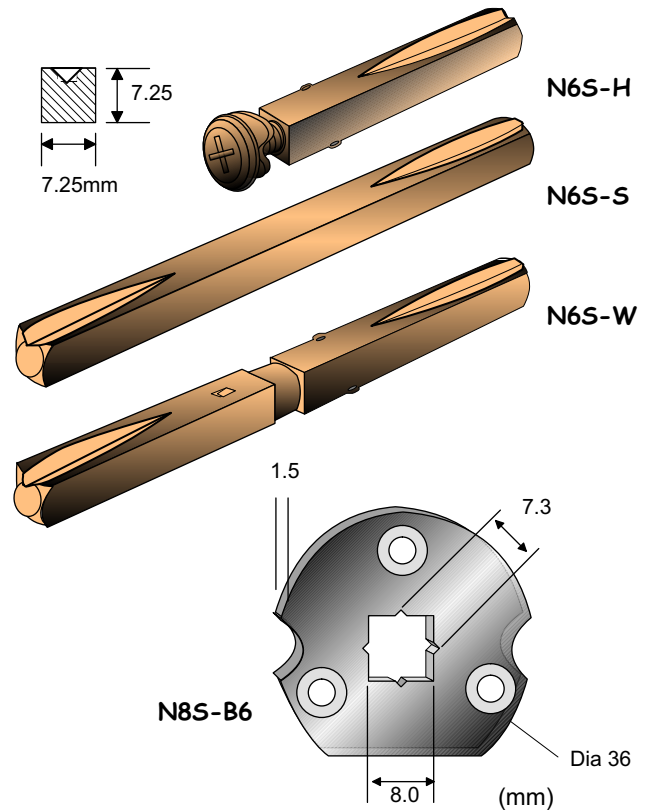
Series 'N6S' Spindle and Dummy Adapter - 7.3mm

Spindles

Baton's series 'N' Spindles are made of wrought steel for 7.3mm hub. Available with the following models:

- Half Spindle -
for Grip Handle on one side with interior Knob/Lever trim (HL or HK).
- Solid Spindle -
one piece construction, for Passage.
- Swivel Spindle -
for Privacy and Entrance.

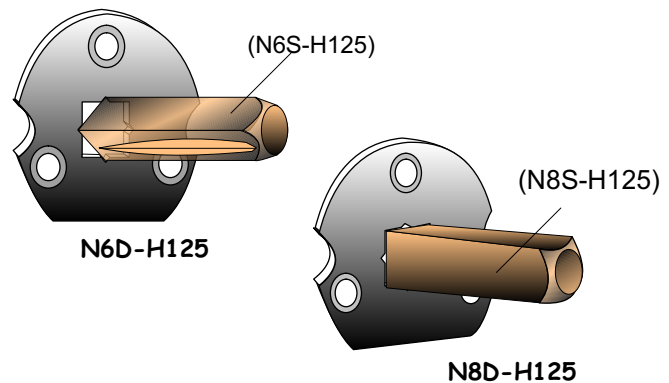
Stock No.	Description
N6S-H125	Dummy Spindle 1.25"
N6S-H275	Half Spindle 2.75"
N6S-S400	Solid Spindle 4"
N6S-S450	Solid Spindle 4.5"
N6S-S500	Solid Spindle 5"
N6S-W400	Swivel Spindle 4"
N6S-W450	Swivel Spindle 4.5"
N6S-W500	Swivel Spindle 5"



Dummy Spindle & Bracket - for Dummy trim

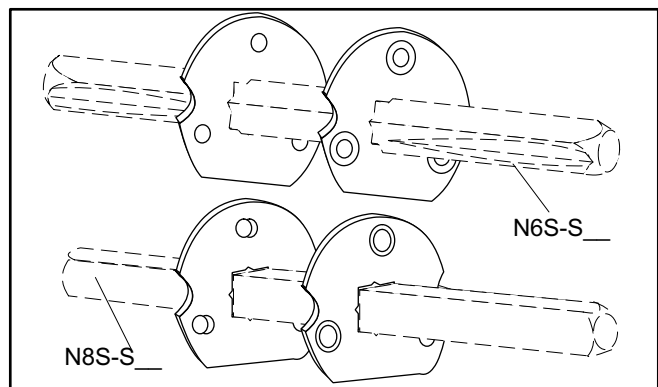
Stainless steel, with 7.3mm on diamond plus 8mm on square broaching, can be accommodated with both 7.3mm or 8.0mm spindles:

- a) Half Spindle for single side dummy trim
- b) Solid Spindle for double side dummy trim
- c) Swivel Spindle for one side dummy and other side active.



Furnished with 3/4" wood screws x 3

Stock No.	Description
N8S-B6	Spindle Bracket, for 7.3 & 8mm Spindles
N6D-H125	Dummy Spindle set 7.3 mm x 1.25"
N8D-H125	Dummy Spindle set 8mm x 1.25"



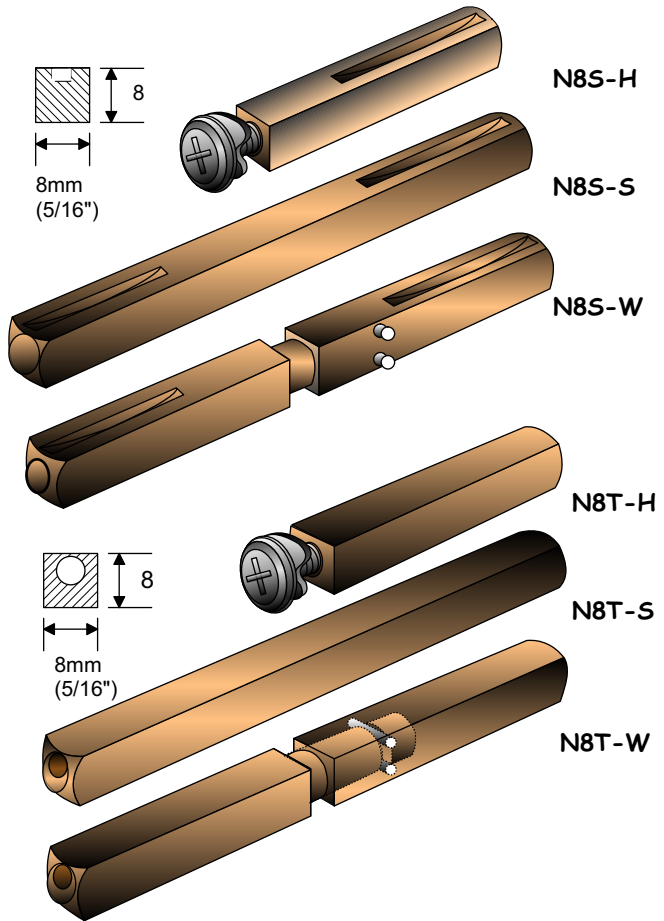
Series 'N8' Spindle, Dummy Bracket Hub Sleeve - 8mm

Spindles

Baton's series 'N' Spindles are made of wrought steel for 8mm hub. Two styles are available: 'NS' Spindles feature groove cut, facilitating the set screw of Knob/Lever mount without slipping. 'NT' Spindles feature a 7/16" off-center hole drilled to allow the pointed set screw to stick on to the spindle. Both styles are available with the following models:

- Half Spindle - for Grip Handle on one side with interior Knob/Lever trim (HL or HK).
- Solid Spindle - one piece construction, for Passage.
- Swivel Spindle - for Privacy and Entrance.

Stock No.	Description
N8S-H 275	Half Spindle 2.75"
N8S-S 400	Solid Spindle 4"
N8S-S 450	Solid Spindle 4.5"
N8S-S 500	Solid Spindle 5"
N8S-W 400	Swivel Spindle 4"
N8S-W 450	Swivel Spindle 4.5"
NS8-W 500	Swivel Spindle 5"
N8T-H 350	Half Spindle 3.5"
N8T-S 400	Solid Spindle 4"
N8T-S 437	Solid Spindle 4.375"
N8T-S 500	Solid Spindle 5"
N8T-S 700	Solid Spindle 7"
N8T-W 400	Swivel Spindle 4"
N8T-W 437	Swivel Spindle 4.375"
N8T-W 450	Swivel Spindle 4.5"
N8T-W 500	Swivel Spindle 5"
N8T-W 700	Swivel Spindle 7"



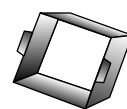
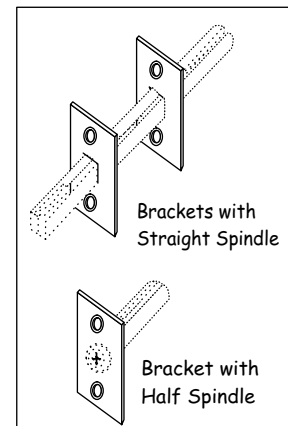
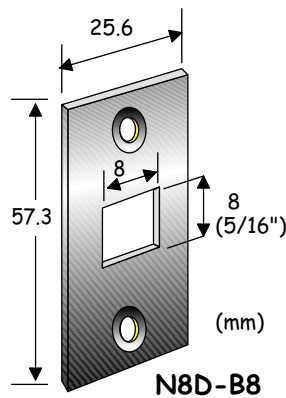
Spindle Bracket- for Dummy trim

Stainless steel, can be accommodated with
a) Half Spindle for single side dummy trim mount,
b) Straight Spindle for double side dummy trim mount, or c) Swivel Spindle for one side dummy and other side active.

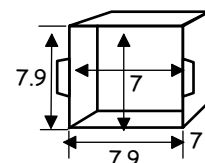
Hub Sleeve 7x7mm

-for converting a mortise lock case or Tubular Latch to take a 7x7mm spindle from a regular 8mm Hub. For the split hub application, simply insert the Hub Sleeve from each side of the Hubs.

Stock No.	Description
N8D-B8	Spindle Bracket, w/2 screws
N8Z-H7	Hub Sleeve 7x7mm



N8Z-H7



Measurement Chart - Inch vs. MM

Inch		MM	Inch		MM	Inch		MM
1/16"	0.0625"	1.5875	1-1/16"	1.0625"	26.9875	2-1/16"	2.0625"	52.3875
1/8"	0.1250"	3.1750	1-1/8"	1.1250"	28.5750	2-1/8"	2.1250"	53.9750
3/16"	0.1875"	4.7625	1-3/16"	1.1875"	30.1625	2-3/16"	2.1875"	55.5625
1/4"	0.2500"	6.3500	1-1/4"	1.2500"	31.7500	2-1/4"	2.2500"	57.1500
5/16"	0.3125"	7.9375	1-5/16"	1.3125"	33.3375	2-5/16"	2.3125"	58.7375
3/8"	0.3750"	9.5250	1-3/8"	1.3750"	34.9250	2-3/8"	2.3750"	60.3250
7/16"	0.4375"	11.1125	1-7/16"	1.4375"	36.5125	2-7/16"	2.4375"	61.9125
1/2"	0.5000"	12.7000	1-1/2"	1.5000"	38.1000	2-1/2"	2.5000"	63.5000
9/16"	0.5625"	14.2875	1-9/16"	1.5625"	39.6875	2-9/16"	2.5625"	65.0875
5/8"	0.6250"	15.8750	1-5/8"	1.6250"	41.2750	2-5/8"	2.6250"	66.6750
11/16"	0.6875"	17.4625	1-11/16"	1.6875"	42.8625	2-11/16"	2.6875"	68.2625
3/4"	0.7500"	19.0500	1-3/4"	1.7500"	44.4500	2-3/4"	2.7500"	69.8500
13/16"	0.8125"	20.6375	1-13/16"	1.8125"	46.0375	2-13/16"	2.8125"	71.4375
7/8"	0.8750"	22.2250	1-7/8"	1.8750"	47.6250	2-7/8"	2.8750"	73.0250
15/16"	0.9375"	23.8125	1-15/16"	1.9375"	49.2125	2-15/16"	2.9375"	74.6125
1"	1.0000"	25.4000	2"	2.0000"	50.8000	3"	3.0000"	76.2000

Inch		MM	Inch		MM	Inch		MM
3-1/16"	3.0625"	77.7875	4-1/16"	4.0625"	103.1875	5-1/16"	5.0625"	128.5875
3-1/8"	3.1250"	79.3750	4-1/8"	4.1250"	104.7750	5-1/8"	5.1250"	130.1750
3-3/16"	3.1875"	80.9625	4-3/16"	4.1875"	106.3625	5-3/16"	5.1875"	131.7625
3-1/4"	3.2500"	82.5500	4-1/4"	4.2500"	107.9500	5-1/4"	5.2500"	133.3500
3-5/16"	3.3125"	84.1375	4-5/16"	4.3125"	109.5375	5-5/16"	5.3125"	134.9375
3-3/8"	3.3750"	85.7250	4-3/8"	4.3750"	111.1250	5-3/8"	5.3750"	136.5250
3-7/16"	3.4375"	87.3125	4-7/16"	4.4375"	112.7125	5-7/16"	5.4375"	138.1125
3-1/2"	3.5000"	88.9000	4-1/2"	4.5000"	114.3000	5-1/2"	5.5000"	139.7000
3-9/16"	3.5625"	90.4875	4-9/16"	4.5625"	115.8875	5-9/16"	5.5625"	141.2875
3-5/8"	3.6250"	92.0750	4-5/8"	4.6250"	117.4750	5-5/8"	5.6250"	142.8750
3-11/16"	3.6875"	93.6625	4-11/16"	4.6875"	119.0625	5-11/16"	5.6875"	144.4625
3-3/4"	3.7500"	95.2500	4-3/4"	4.7500"	120.6500	5-3/4"	5.7500"	146.0500
3-13/16"	3.8125"	96.8375	4-13/16"	4.8125"	122.2375	5-13/16"	5.8125"	147.6375
3-7/8"	3.8750"	98.4250	4-7/8"	4.8750"	123.8250	5-7/8"	5.8750"	149.2250
3-15/16"	3.9375"	100.0125	4-15/16"	4.9375"	125.4125	5-15/16"	5.9375"	150.8125
4"	4.0000"	101.6000	5"	5.0000"	127.0000	6"	6.0000"	152.4000